

# BEADAM

SCALES & BALANCES



# 2024

## Product Catalogue

Intuitive Operation, Dependability, Performance and Value since 1972

# Your Adam Equipment Office



Adam Equipment Co. Ltd.  
Maidstone Road, Kingston,  
Milton Keynes, MK10 0BD, UK



## Why Adam?



Accuracy and dependability. Suitability for the application. Value for money. Intuitive features to simplify the most complex weighing tasks. These are all metrics within which we define the Adam Equipment product range, for now and for the future.

We are the proud creators of some of the industry's leading weighing scales and balances. In 2023, we showed our confidence in the quality of our products by extending warranties across our range, to as much as five years for most models.

For 2024, we've refreshed our lineup with several new product ranges. These additions perfectly demonstrate our continued commitment to providing the weighing solutions our customers need, with each new product based on feedback from the very people who use Adam scales and balances every day.

With more than 50 years of weighing experience, Adam continues its commitment to weighing excellence for our customers and our dealer network.

## For questions or quotes:







## Find it online!



Click the QR code on any product page to find more information on that model.

## Stay connected through social media

-  **Facebook:**  
facebook.com/adamequipment
-  **LinkedIn:**  
linkedin.com/company/adam-equipment
-  **YouTube:**  
youtube.com/user/adamequipment
-  **X (Twitter):**  
x.com/adamequipment



Visit the desktop site at  
[adamequipment.co.uk](http://adamequipment.co.uk)

# Icon Guide



## Backlit Display

The Liquid Crystal Display (LCD) of some balances is lit from behind to facilitate easy reading of weighing results. This is especially useful when weighing takes place in areas where lighting is low, or where weight readings may be viewed from a distance.



## Tare Function

The tare function allows the weight of a container or packaging to be removed from the reading of a scale or balance. For example, if an item is weighed in a box, the tare function can be used to remove the weight of the box from the display. As a result, only the weight of the item inside the box will show on the scale's display.



## Multiple Weighing Units

The weighing units used will depend on the preference of the user, the application or the industry; however, having the option to change the weighing units displayed makes a scale or balance far more useful. Some applications and industries will require specific units, such as carats (ct) for jewellery weighing, and g/kg for trade applications.



## Weigh-Below Hook

Weigh-below hooks allow suspended weighing. A number of Adam scales and balances are provided with, or can be used with, a weigh-below hook; typical applications include density determination (for which a density determination kit should also be considered) and specific gravity testing.



## Security Bracket

To help prevent theft, security bracket allows an Adam balance to be secured with a security lock and cable. Security locks and cables are most commonly used in education environments where expensive equipment (such as an analytical balance) may be used by many students on a daily basis.



## RS-232 Port

An RS-232 port is a commonly used output when sending data to a printer or PC. Sending information directly from the scale or balance to a computer means immediate, automated traceability and helps to speed up weighing and recording processes, as well as eliminating the risk of a transcription error. Alternatively, look for models with USB output.



## USB Port

Two types of USB output can be found on Adam scales and balances: those that can be used to send weight data to a PC (as with an RS-232 output) and outputs that allow data to be transferred to a USB stick. In laboratory environments, USB and RS-232 outputs help ensure compliance with GLP/ISO guidelines.



## IP67 & IP68 Waterproof Rated

IP stands for Ingress Protection, and the number corresponds with a specific level of protection from ingress of water and dust. Adam's IP66 and IP67 models are regarded as 'washdown,' and IP68 models, being a higher number, are 'waterproof.' Specifically, IP68 models, according to the official definition, can be 'submerged in water deeper than 1 metre.' IP ratings are determined by the international standard EN 60529 (British BS EN 60529:1992 – Degrees of protection provided by enclosures (IP Code) and European IEC 60509: 1989 – Degrees of protection provided by enclosures (IP Code).



## Internal Calibration

Regular calibration of scales and balances is essential to ensure accuracy of weight readings. Adam balances with internal calibration help maintain accuracy without having to check using external weights. This is easier, more convenient and means no time spent on manual calibration.



## External Calibration

Scales and balances with external calibration require periodic manual calibration checks, using calibration weights. External calibration is standard with most scales and balances, and we recommend devices are checked at least once a year, depending on frequency of use. Calibration weights can be found on page 77.



## Rechargeable Battery

Choose a scale or balance with a rechargeable battery if you require flexibility, portability and want to avoid the regular purchasing of batteries. Adam models with a rechargeable battery typically offer 100-120 hours of use between full charges.



## Battery Power

If a scale or balance is likely to be used in multiple locations or in locations where there is no mains power available, choose battery power. Adam scales and balances that use batteries are typically compact and portable, making it even easier to move them to locations where they're needed.



## Built-in Printer

A printer allows weight information to be recorded in hard copy. Scales with built-in printers allow labels to be printed immediately after weighing, with information such as weight, date, time, barcode and company name. The labels can then be attached to the weighed goods or container.



## Date

Having date information available is essential when weight data is recorded. In line with GLP/GMP/ISO guidelines, date (and time) improves traceability and ensures information recorded is more complete.



## Time

As with Date (see above), Adam scales and balances that provide time information are required if you're printing or recording weight data for traceability and compliance with GLP/GMP/ISO guidelines.



## GLP/GMP/ISO Printouts

GLP (Good Laboratory Practice) and GMP (Good Manufacturing Practice) are quality assurance systems, and their guidelines state how traceable information should be recorded. Weighing scales with this icon facilitate these processes by providing information such as the time, the date, the balance or scale's ID, and other useful data that can be tracked and monitored.



## Freight Shipping Only


Products with this icon are eligible for freight shipping only due to the size and weight of the product.

Note: where battery life is quoted, this is the maximum possible life of the rechargeable battery when new from full-charge to empty, with the device's backlight permanently switched off.

# Product Information

## Full product information on our **NEW** website

Adam's new website makes it even easier to find the information you need.



**Warranty Information**  
Need to know the finer details of our longer, industry-leading warranties, or how a product can be registered? It's all here.

**Repairs & Replacement Parts**  
Our new website lists all replacement parts, plus you can directly contact Adam Tech support. There's troubleshooting help, too!

**Drivers & Software**  
Download the latest drivers and software for an Adam scale or balance, such as label-making software for our BKT/BCT scales.

**User Manuals & Data Sheets**  
Download documents for any Adam scale or balance to aid operation, or for more advanced model-specific information.



## Approvals



**NSF**  
NSF International is a product testing, inspection and certification organisation created to standardise sanitation and food safety requirements globally. NSF develops standards for industries including food & beverage, home appliances and water, as well as performs analytical testing for supplements and pharmaceuticals. Learn more at [www.nsf.org/gb/en](http://www.nsf.org/gb/en)



**EC Type Approval**  
Approval is required for selling goods by weight and in other specified weighing applications in Europe. EC Type Approval can be granted for most types of Non-Automatic Weighing Instruments (NAWI), after the correct testing procedure is performed by an approved body. A test report and certificate are issued to the manufacturer or importer of the product that has undergone the type approval test. Need approved scales? Look out for the logo in this catalogue.



**ISO 9001**  
Adam Equipment is an ISO 9001:2015 certified manufacturer.

## Warranty



We trust the quality and construction of our products. To demonstrate that trust, we've increased the warranties on nearly all our scales and balances to up to five years — levels of protection that are unheard of in the professional weighing industry.

The new warranty periods come at no extra cost and mean customers are getting greater value and peace of mind for their money. With Adam's unmatched warranty coverage and after-sales support, we're sure you'll have complete confidence in our products.



Click the QR code to find out more or visit...

[adamequipment.co.uk/warranty](http://adamequipment.co.uk/warranty)

Capacity Selection Guide

4-6

**04**

Analytical & Precision Balances

7-15

**07**

Compact Balances

16-23

**16**

Moisture Analysers

24-25

**24**

Bench & Floor Scales

26-37

**26**

Counting Scales

38-45

**38**

Washdown & Waterproof Scales

46-51

**46**

Retail Scales

52-53

**52**

Heavy-Duty & Platform Scales

54-65

**54**

Weighing Indicators

66-71

**66**

Health & Fitness Scales

72-75

**72**

Weights & Accessories

76-85

**76**

Shipping Information & Index

86-87

**86**

**NEW!**

Find Adam's NEW GK-Plus Checkweighing Indicators on page 70



## 4 Capacity Selection Guide

Looking for a weighing scale or balance with a specific capacity?  
Use this guide to find Adam models by capacity, from 50g to 10 tonnes.

Model	Capacity	Readability	Page
<b>PMB 53</b>	50g	0.001g / 0.01%	25
<b>EAB 125i</b>	62g / 120g	0.01mg / 0.1mg	8-9
<b>SAB 125i</b>	62g / 120g	0.01mg / 0.1mg	10-11
<b>EAB 124e</b>	120g	0.0001g	8-9
<b>EAB 124i</b>	120g	0.0001g	8-9
<b>SAB 124e</b>	120g	0.0001g	10-11
<b>SAB 124i</b>	120g	0.0001g	10-11
<b>LAB 124e</b>	120g	0.0001g	12-13
<b>LAB 124i</b>	120g	0.0001g	12-13
<b>HCB 123</b>	120g	0.001g	18-19
<b>HCB 153</b>	150g	0.005g	18-19
<b>PMB 163</b>	160g	0.001g / 0.01%	25
<b>PMB 202</b>	200g	0.01g / 0.05%	25
<b>CQT 202</b>	200g	0.01g	17
<b>DCT 201</b>	200g	0.1g	22
<b>LAB 214e</b>	210g	0.0001g	12-13
<b>LAB 214i</b>	210g	0.0001g	12-13
<b>EAB 225i</b>	82g / 220g	0.01mg / 0.1mg	8-9
<b>SAB 225i</b>	82g / 220g	0.01mg / 0.1mg	10-11
<b>EAB 224e</b>	220g	0.0001g	8-9
<b>EAB 224i</b>	220g	0.0001g	8-9
<b>SAB 224e</b>	220g	0.0001g	10-11
<b>SAB 224i</b>	220g	0.0001g	10-11
<b>LPB 223e</b>	220g	0.001g	12-13
<b>LPB 223i</b>	220g	0.001g	12-13
<b>LAB 254e</b>	250g	0.0001g	12-13
<b>LAB 254i</b>	250g	0.0001g	12-13
<b>CQT 251</b>	250g	0.1g	17
<b>HCB 302</b>	300g	0.01g	18-19
<b>DCT 302</b>	300g	0.01g	22
<b>EAB 314e</b>	310g	0.0001g	8-9
<b>EAB 314i</b>	310g	0.0001g	8-9
<b>SAB 314e</b>	310g	0.0001g	10-11
<b>SAB 314i</b>	310g	0.0001g	10-11
<b>EPB 363e</b>	360g	0.001g	8-9
<b>EPB 363i</b>	360g	0.001g	8-9
<b>SPB 363e</b>	360g	0.001g	10-11
<b>SPB 363i</b>	360g	0.001g	10-11
<b>EAB 414i</b>	410g	0.0001g	8-9
<b>LPB 423e</b>	420g	0.001g	12-13
<b>LPB 423i</b>	420g	0.001g	12-13
<b>CB 501</b>	500g	0.1g	21
<b>SAB 514i</b>	510g	0.0001g	10-11
<b>HCB 602H</b>	600g	0.01g	18-19
<b>HCB 602M</b>	600g	d=0.01g e=0.1g	18-19
<b>HCB 602</b>	600g	0.02g	18-19
<b>CQT 601</b>	600g	0.1g	17

Model	Capacity	Readability	Page
<b>DCT 601</b>	600g	0.1g	22
<b>LPB 623e</b>	620g	0.001g	12-13
<b>LPB 623i</b>	620g	0.001g	12-13
<b>EPB 723e</b>	720g	0.001g	8-9
<b>EPB 723i</b>	720g	0.001g	8-9
<b>SPB 723e</b>	720g	0.001g	10-11
<b>SPB 723i</b>	720g	0.001g	10-11
<b>LPB 823e</b>	820g	0.001g	12-13
<b>LPB 823i</b>	820g	0.001g	12-13
<b>HCB 1002M</b>	1000g	d=0.01g e=0.1g	18-19
<b>HCB 1002</b>	1000g	0.01g	18-19
<b>CB 1001</b>	1000g	0.1g	21
<b>EPB 1203i</b>	1200g	0.001g	8-9
<b>SPB 1203i</b>	1200g	0.001g	10-11
<b>CBX 1201</b>	1200g	0.1g	20
<b>HCB 1502</b>	1500g	0.05g	18-19
<b>CQT 1501</b>	1500g	0.1g	17
<b>DCT 2001</b>	2000g	0.1g	22
<b>CQT 2000</b>	2000g	1g	17
<b>DCT 2000</b>	2000g	1g	22
<b>EPB 2103i</b>	2100g	0.001g	8-9
<b>SPB 2103i</b>	2100g	0.001g	10-11
<b>HCB 2202</b>	2200g	0.01g	18-19
<b>LTB 2602e</b>	2600g	0.01g	12-13
<b>LTB 2602i</b>	2600g	0.01g	12-13
<b>CQT 2601</b>	2600g	0.1g	17
<b>TBB 2610S</b>	2610g	0.1g	23
<b>TBB 2610T</b>	2610g	0.1g	23
<b>HCB 3001</b>	3000g	0.1g	18-19
<b>HCB 3001M</b>	3000g	d=0.5g e=0.5g	18-19
<b>CBX 3001</b>	3000g	0.5g	20
<b>SWZ 3D</b>	3000g	0.0005kg / 0.001kg	53
<b>SWZ 3DP</b>	3000g	0.0005kg / 0.001kg	53
<b>LBX 3</b>	3kg	0.5g	27
<b>CB 3000</b>	3000g	1g	21
<b>ETB 3202e</b>	3200g	0.01g	8-9
<b>ETB 3202i</b>	3200g	0.01g	8-9
<b>STB 3202e</b>	3200g	0.01g	10-11
<b>STB 3202i</b>	3200g	0.01g	10-11
<b>LTB 3602e</b>	3600g	0.01g	12-13
<b>LTB 3602i</b>	3600g	0.01g	12-13
<b>CDT 4</b>	4kg	0.1g	39
<b>CCT 4</b>	4kg	0.1g	40-41
<b>CKT 4</b>	4kg	0.1g	28-29
<b>ABW 4S</b>	4kg	0.1g	48-49
<b>ABW 4</b>	4kg	0.5g	47
<b>CCT 4M</b>	4kg	1g	40-41

Model	Capacity	Readability	Page
<b>CKT 4M</b>	4kg	1g	28-29
<b>LTB 4602e</b>	4600g	0.01g	12-13
<b>LTB 4602i</b>	4600g	0.01g	12-13
<b>CQT 5000</b>	5000g	1g	17
<b>DCT 5000</b>	5000g	2g	22
<b>LTB 6002e</b>	6000g	0.01g	12-13
<b>LTB 6002i</b>	6000g	0.01g	12-13
<b>LBB 6001e</b>	6000g	0.1g	12-13
<b>HCB 6001</b>	6000g	0.1g	18-19
<b>LBX 6</b>	6kg	1g	27
<b>CBX 6000</b>	6000g	1g	20
<b>SWZ 6D</b>	6000g	0.001kg / 0.002kg	53
<b>SWZ 6DP</b>	6000g	0.001kg / 0.002kg	53
<b>CPWplus 6</b>	6kg	0.002kg	30-31
<b>GBK-Plus 6M</b>	6kg	2g	32-33
<b>GGG 6M</b>	6kg	1g	50-51
<b>ETB 6202e</b>	6200g	0.01g	8-9
<b>STB 6202e</b>	6200g	0.01g	10-11
<b>STB 6202i</b>	6200g	0.01g	10-11
<b>CCT 8UH</b>	8kg	0.05g	40-41
<b>CKT 8UH</b>	8kg	0.05g	28-29
<b>LBB 8001e</b>	8000g	0.1g	12-13
<b>CKT 8H</b>	8kg	0.1g	28-29
<b>GBK 8</b>	8kg	0.1g	32-33
<b>AGB 8</b>	8kg	0.1g	34-35
<b>BKT 8</b>	8kg	0.1g	36-37
<b>CCT 8</b>	8kg	0.2g	40-41
<b>CDT 8</b>	8kg	0.2g	39
<b>CKT 8</b>	8kg	0.2g	28-29
<b>GB 8</b>	8kg	0.1g	63
<b>WS 8</b>	8kg	0.5g	64-65
<b>GGG 8</b>	8kg	0.5g	50-51
<b>CKT 8M</b>	8kg	2g	28-29
<b>ABW 8S</b>	8kg	0.5g	48-49
<b>ABW 8</b>	8kg	0.1g	47
<b>ETB 8202e</b>	8200g	0.01g	8-9
<b>STB 8202e</b>	8200g	0.01g	10-11
<b>LBB 12001e</b>	12000g	0.1g	12-13
<b>NBL 12001e</b>	12000g	0.1g	14-15
<b>NBL 12001P</b>	12000g	0.1g	14-15
<b>LBX 12</b>	12kg	2g	27
<b>SWZ 15D</b>	15kg	0.002kg / 0.005kg	53
<b>SWZ 15DP</b>	15kg	0.002kg / 0.005kg	53
<b>LBB 15001e</b>	15000g	0.1g	12-13
<b>GBK-Plus 15M</b>	15kg	2g	32-33
<b>GGG 15M</b>	15kg	5g	50-51
<b>CPWplus 15</b>	15kg	0.005kg	30-31
<b>AGB 15M</b>	15kg	5g	34-35
<b>NBL 16001e</b>	16000g	0.1g	14-15
<b>NBL 16001P</b>	16000g	0.1g	14-15

Model	Capacity	Readability	Page
<b>CCT 16UH</b>	16kg	0.1g	40-41
<b>CKT 16UH</b>	16kg	0.1g	28-29
<b>GBC 16</b>	16kg	0.5g	42-43
<b>AGB 16</b>	16kg	0.5g	34-35
<b>BCT 16</b>	16kg	0.5g	44-45
<b>CDT 16</b>	16kg	0.5g	39
<b>GB 16</b>	16kg	0.2g	63
<b>BKT 16</b>	16kg	0.5g	36-37
<b>CCT 16</b>	16kg	0.5g	40-41
<b>CKT 16</b>	16kg	0.5g	28-29
<b>GBK 16</b>	16kg	0.5g	32-33
<b>ABW 16S</b>	16kg	1g	48-49
<b>GGG 16</b>	16kg	0.5g	50-51
<b>WS 16</b>	16kg	1g	64-65
<b>ABW 16</b>	16kg	2g	47
<b>MTB 20</b>	20kg	0.005kg	73
<b>CCT 20M</b>	20kg	5g	40-41
<b>CKT 20M</b>	20kg	5g	28-29
<b>NBL 22001e</b>	22000g	0.1g	14-15
<b>NBL 22001P</b>	22000g	0.1g	14-15
<b>GBK-Plus 30M</b>	30kg	10g	32-33
<b>GGG 30M</b>	30kg	10g	50-51
<b>GGB 30M</b>	30kg	10g	50-51
<b>AGB 30M</b>	30kg	1g	34-35
<b>SWZ 30D</b>	30kg	0.005kg / 0.010kg	53
<b>SWZ 30DP</b>	30kg	0.005kg / 0.010kg	53
<b>LBX 30</b>	30kg	5g	27
<b>CCT 32UH</b>	32kg	0.2g	40-41
<b>CKT 32UH</b>	32kg	0.2g	28-29
<b>CDT 32</b>	32kg	1g	39
<b>BCT 32</b>	32kg	1g	44-45
<b>CCT 32</b>	32kg	1g	40-41
<b>CKT 32</b>	32kg	1g	28-29
<b>GB 32</b>	32kg	1g	63
<b>GBK 32</b>	32kg	1g	32-33
<b>GBC 32</b>	32kg	1g	42-43
<b>ABW 32S</b>	32kg	2g	48-49
<b>WS 32</b>	32kg	2g	64-65
<b>ABW 32</b>	32kg	5g	47
<b>AGB 35</b>	35kg	1g	34-35
<b>WB 35</b>	35kg	2g	64-65
<b>CPWplus 35</b>	35kg	0.01kg	30-31
<b>CPWplus 35M</b>	35kg	0.01kg	30-31
<b>CPWplus 35L</b>	35kg	0.01kg	30-31
<b>GGG 35</b>	35kg	1g	50-51
<b>GGB 35</b>	35kg	1g	50-51
<b>CCT 40M</b>	40kg	10g	40-41
<b>CKT 40M</b>	40kg	10g	28-29
<b>CCT 48UH</b>	48kg	0.5g	40-41
<b>CKT 48UH</b>	48kg	0.5g	28-29

Model	Capacity	Readability	Page
<b>CDT 48</b>	48kg	2g	39
<b>CCT 48</b>	48kg	2g	40-41
<b>CKT 48</b>	48kg	2g	28-29
<b>SHS 50</b>	50kg	0.01kg	58-59
<b>GBC 60</b>	60kg	2g	42-43
<b>GBK 60</b>	60kg	2g	32-33
<b>GB 60</b>	60kg	2g	63
<b>BCT 60</b>	60kg	2g	44-45
<b>BKT 60</b>	60kg	2g	36-37
<b>AGB 60M</b>	60kg	20g	34-35
<b>AGF 60M</b>	60kg	20g	34-35
<b>GBK-Plus 60M</b>	60kg	20g	32-33
<b>GFK-Plus 60M</b>	60kg	20g	32-33
<b>GGB 60M</b>	60kg	20g	50-51
<b>GGF 60M</b>	60kg	20g	50-51
<b>AGB 70</b>	70kg	2g	34-35
<b>GFK 75H</b>	75kg	1g	32-33
<b>GGB 75</b>	75kg	2g	50-51
<b>GGF 75</b>	75kg	2g	50-51
<b>GGF 75H</b>	75kg	1g	50-51
<b>GFC 75</b>	75kg	5g	42-43
<b>GFK 75</b>	75kg	5g	32-33
<b>BCT 75</b>	75kg	5g	44-45
<b>BKT 75</b>	75kg	5g	36-37
<b>WB 75</b>	75kg	5g	64-65
<b>WF 75</b>	75kg	5g	64-65
<b>GF 75</b>	75kg	5g	50-51
<b>CPWplus 75</b>	75kg	0.02kg	30-31
<b>CPWplus 75M</b>	75kg	0.02kg	30-31
<b>CPWplus 75L</b>	75kg	0.02kg	30-31
<b>GB 120</b>	120kg	5g	63
<b>GBK 120</b>	120kg	5g	32-33
<b>BKT 120</b>	120kg	5g	36-37
<b>AGF 150</b>	150kg	5g	34-35
<b>GGF 150</b>	150kg	5g	50-51
<b>GGL 150</b>	150kg	5g	50-51
<b>WF 150</b>	150kg	10g	64-65
<b>WL 150</b>	150kg	10g	64-65
<b>GFC 150</b>	150kg	10g	42-43
<b>GFK 150</b>	150kg	10g	32-33
<b>BCT 150</b>	150kg	10g	44-45
<b>BKT 150</b>	150kg	10g	36-37
<b>GF 150</b>	150kg	10g	63
<b>SHS 150</b>	150kg	0.02kg	58-59
<b>GFK 150H</b>	150kg	2g	32-33
<b>GBK-Plus 150M</b>	150kg	50g	32-33
<b>GFK-Plus 150M</b>	150kg	50g	32-33
<b>GGF 150M</b>	150kg	50g	50-51
<b>GGL 150M</b>	150kg	50g	50-51
<b>CPWplus 150</b>	150kg	0.05kg	30-31
<b>CPWplus 150M</b>	150kg	0.05kg	30-31

Model	Capacity	Readability	Page
<b>CPWplus 150L</b>	150kg	0.05kg	30-31
<b>AGF 150M</b>	150kg	50g	34-35
<b>CPWplus 200</b>	200kg	0.05kg	30-31
<b>CPWplus 200M</b>	200kg	0.05kg	30-31
<b>CPWplus 200L</b>	200kg	0.05kg	30-31
<b>GGL 300</b>	300kg	10g	50-51
<b>WL 300</b>	300kg	20g	64-65
<b>AGF 300</b>	300kg	10g	34-35
<b>GFC 300</b>	300kg	20g	42-43
<b>GFK 300</b>	300kg	20g	32-33
<b>BCT 300</b>	300kg	20g	44-45
<b>BKT 300</b>	300kg	20g	36-37
<b>GF 300</b>	300kg	20g	63
<b>SHS 300</b>	300kg	0.05kg	58-59
<b>MDW 300L</b>	300kg	0.05kg	74-75
<b>GFK-Plus 300M</b>	300kg	100g	32-33
<b>CPWplus 300L</b>	300kg	0.1kg	30-31
<b>AGF 300M</b>	300kg	300g	34-35
<b>LHS 500</b>	500kg	0.1kg	58-59
<b>PTM 500</b>	500kg	0.1kg	62
<b>AGF 600</b>	600kg	20g	34-35
<b>BKT 600</b>	600kg	50g	36-37
<b>GFK 600</b>	600kg	50g	32-33
<b>GF 600</b>	600kg	50g	63
<b>IHS 1</b>	1000kg	0.2kg	58-59
<b>AELP 1000</b>	1000kg	0.02kg	55
<b>PT 110</b>	1000kg	0.02kg	60-61
<b>PT 112</b>	1000kg	0.02kg	60-61
<b>PT 115</b>	1000kg	0.02kg	60-61
<b>LHS 1500</b>	1500kg	0.2kg	58-59
<b>LHS 2000</b>	2000kg	0.5kg	58-59
<b>AELP 2000</b>	2000kg	0.5kg	55
<b>PTSplus 2000</b>	2000kg	0.5kg	56
<b>PTT 2000</b>	2000kg	0.5kg	57
<b>PT 310</b>	3000kg	0.5kg	60-61
<b>IHS 3</b>	3000kg	0.5kg	58-59
<b>AELP 3000</b>	3000kg	1kg	55
<b>IHS 5</b>	5000kg	1kg	58-59
<b>IHS 10</b>	10000kg	2kg	58-59



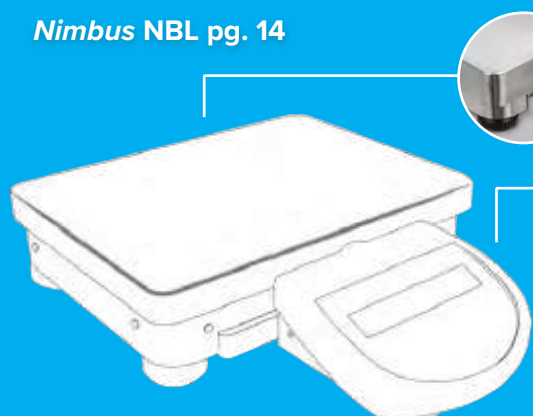
EAB



Adam Equipment's analytical balances offer solutions to the most complex and precise weighing tasks from formulation, statistical analysis, density determination, purity analysis to conformance testing. Not only do Adam's easy-to-use analytical range of balances simplify weighing tasks, they also produce reliable results ideal for data handling with multiple connectivity options and tracking capabilities that are compliant with GLP (Good Laboratory Practices).

Our precision balances consistently deliver increased efficiency and accurate results, even in testing laboratory environments. Equipped with a multitude of intuitive features and functions, Adam's precision balances are well-suited for laboratory use, quality control testing, manufacturing operations and production applications.

*Nimbus NBL* pg. 14



**Stainless Steel Pan**  
Grade 304 stainless steel pan for swift cleaning



**Vivid Display**  
Easily visible in any lighting conditions



**Multiple Connections**  
USB and RS-232 interfaces

Equinox semi-micro, analytical and precision balances bring remarkable precision to labs that perform highly detailed testing. The Equinox is ideal for research and quality assurance facilities; science education; precision counting; and pharma/forensics applications needing exceptionally precise results.

## Applications

Weighing | Parts counting | Percentage weighing | Checkweighing | Statistics | Dynamic/Animal weighing | Density determination | Peak hold | Formulation | Textile | Accumulation



EAB



EPB



ETB



Customisable 5-inch 800x480 pixel touch-screen display



USB port for transferring data to a USB stick



Built-in memory for storage and quick access to products and settings

## Features

- RS-232 interface provides speedy connection to computers and printers
- Printouts include date and time for data tracking within Good Laboratory Practices (GLP) guidelines
- Selectable digital filtering helps minimise effects of vibration and disturbances
- Security password control prevents unauthorised access
- Security slot for optional lock and cable
- Parts counting with freely selectable sample sizes
- Multilingual display permits use in various regions
- Large, grade 304 stainless steel pan
- Memory accumulation totals results
- Checkweighing with audible alarm

## General Specifications

- Weighing units: g, mg, ct, GN, lb, oz, dwt, mm, ozt, tl.H, tl.S, tl.T, T, custom unit
- Interface: RS-232, USB
- Power supply: 24VDC 1A adapter\*
- Display: Touchscreen with 13mm-high digits
- Calibration: External, Internal automatic
- Housing: ABS Plastic
- Operating temperature: 10° to 30°C

\* 363 e/i and 3202 e/i models use a 9VDC 1A power supply



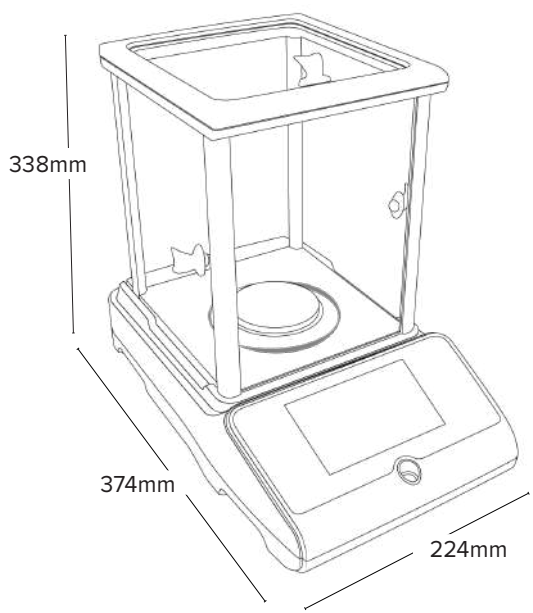
CLICK TO FIND ONLINE



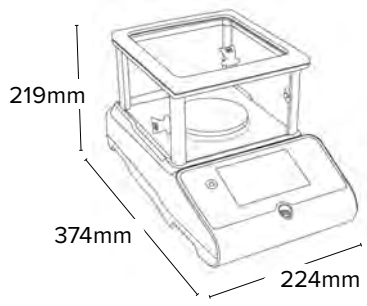
ABI-1 Ioniser  
See pg. 84



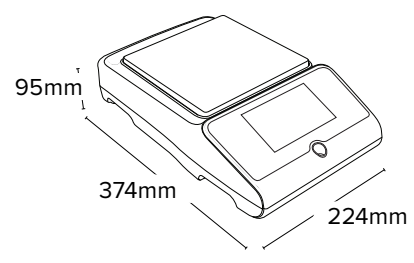
Anti-Vibration Table  
See pg. 83



**EAB Analytical Balance**



**EPB Precision Balance**



**ETB Precision Balance**

Model	Capacity	Readability	Pan Size	Net Weight
<b>EAB 125i</b>	62g / 120g	0.01mg/ 0.1mg	80mm ø	7.2kg
<b>EAB 225i</b>	82g / 220g	0.01mg/ 0.1mg	80mm ø	7.2kg
<b>EAB 124i</b>	120g	0.0001g	80mm ø	7.2kg
<b>EAB 224i</b>	220g	0.0001g	80mm ø	7.2kg
<b>EAB 314i</b>	310g	0.0001g	80mm ø	7.2kg
<b>EAB 414i</b>	410g	0.0001g	80mm ø	7.2kg
<b>EAB 124e</b>	120g	0.0001g	80mm ø	7.2kg
<b>EAB 224e</b>	220g	0.0001g	80mm ø	7.2kg
<b>EAB 314e</b>	310g	0.0001g	80mm ø	7.2kg
<b>EPB 363i</b>	360g	0.001g	110mm ø	6.9kg
<b>EPB 723i</b>	720g	0.001g	110mm ø	6.9kg
<b>EPB 1203i</b>	1200g	0.001g	110mm ø	6.9kg
<b>EPB 2103i</b>	2100g	0.001g	110mm ø	6.9kg
<b>EPB 363e</b>	360g	0.001g	110mm ø	6.6kg
<b>EPB 723e</b>	720g	0.001g	110mm ø	6.6kg
<b>ETB 3202i</b>	3200g	0.01g	185x185mm	6.9kg
<b>ETB 3202e</b>	3200g	0.01g	185x185mm	6.6kg
<b>ETB 6202e</b>	6200g	0.01g	185x185mm	6.6kg
<b>ETB 8202e</b>	8200g	0.01g	185x185mm	6.6kg

Note: Draft shield not included with ETB (top loader) models.

Models ending in:  
 i: Internal Calibration  
 e: External Calibration

With a high-resolution graphic display and intuitive features, Solis semi-micro, analytical and precision balances provide an outstanding solution for a variety of lab applications. Versatile and resilient, the Solis is ideal for research and quality assurance labs; science education; precision counting; and production and manufacturing applications.

## Applications

Weighing | Parts counting | Percentage weighing | Checkweighing | Dynamic/Animal weighing | Density determination | Peak hold | Formulation | Textile | Accumulation



SAB



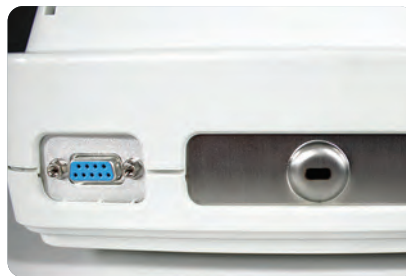
SPB



STB



High-resolution graphic display shows detailed information



RS-232 interface provides speedy connection to computers and printers



Selectable digital filtering helps minimise effects of vibration and disturbances

## Features

- Large, grade 304 stainless steel pan allows for quick and easy cleaning
- Printouts include date and time for data tracking within Good Laboratory Practices (GLP) guidelines
- Multilingual display permits use in various regions
- Checkweighing with audible alarm
- Parts counting with preset sample sizes
- Security slot for optional lock and cable
- Store up to 99 ingredients in formulation mode

## General Specifications

- Weighing units: g, mg, lb, oz, ct, GN, dwt, mm, ozt, T, tl.H, tl.S, tl.T, custom unit
- Interface: RS-232
- Power supply: 24VDC 1A adapter\*
- Display: Graphic display with 15mm-high digits
- Calibration: External, Internal automatic
- Housing: ABS Plastic
- Operating temperature: 10° to 30°C

\*363 e/i and 3202 e/i models use a 9VDC 1A power supply



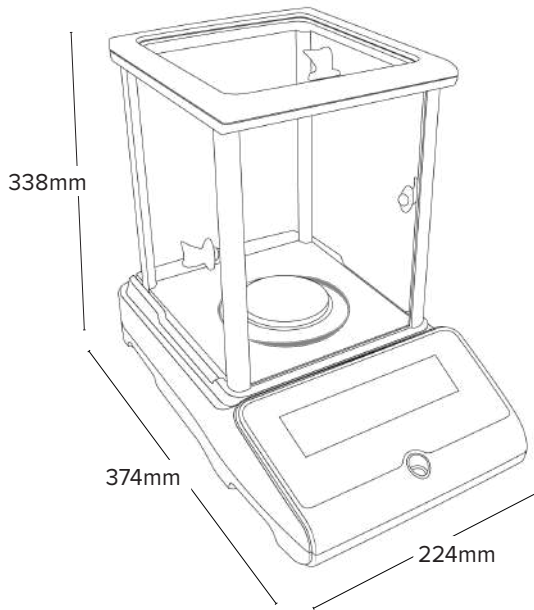
CLICK TO FIND ONLINE



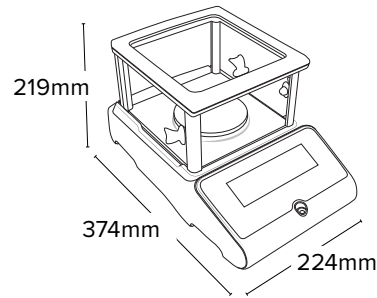
ABI-1 Ioniser  
See pg. 84



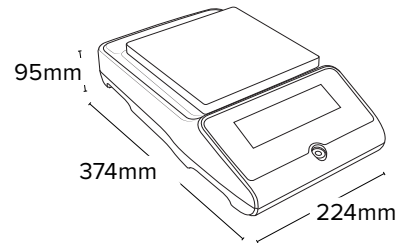
ATP2 Thermal Printer  
See pg. 84



### SAB Analytical Balance



### SPB Precision Balance



### STB Precision Balance

Model	Capacity	Readability	Pan Size	Net Weight
<b>SAB 125i</b>	62g / 120g	0.01mg / 0.1mg	80mm ø	7kg
<b>SAB 225i</b>	82g / 220g	0.01mg / 0.1mg	80mm ø	7kg
<b>SAB 124i</b>	120g	0.0001g	80mm ø	7kg
<b>SAB 224i</b>	220g	0.0001g	80mm ø	7kg
<b>SAB 314i</b>	310g	0.0001g	80mm ø	7kg
<b>SAB 514i</b>	510g	0.0001g	80mm ø	7kg
<b>SAB 124e</b>	120g	0.0001g	80mm ø	6.7kg
<b>SAB 224e</b>	220g	0.0001g	80mm ø	6.7kg
<b>SAB 314e</b>	310g	0.0001g	80mm ø	6.7kg
<b>SPB 363i</b>	360g	0.001g	110mm ø	6.7kg
<b>SPB 723i</b>	720g	0.001g	110mm ø	6.7kg
<b>SPB 1203i</b>	1200g	0.001g	110mm ø	6.7kg
<b>SPB 2103i</b>	2100g	0.001g	110mm ø	6.7kg
<b>SPB 363e</b>	360g	0.001g	110mm ø	6.4kg
<b>SPB 723e</b>	720g	0.001g	110mm ø	6.4kg
<b>STB 3202i</b>	3200g	0.01g	185x185mm	6.7kg
<b>STB 6202i</b>	6200g	0.01g	185x185mm	6.7kg
<b>STB 3202e</b>	3200g	0.01g	185x185mm	6.4kg
<b>STB 6202e</b>	6200g	0.01g	185x185mm	6.4kg
<b>STB 8202e</b>	8200g	0.01g	185x185mm	6.4kg

Note: Draft shield not included with STB (top loader) models.

Models ending in:

i: Internal Calibration

e: External Calibration

Luna balances are designed with an array of features and functions to accommodate most lab applications. The Luna range offers improved performance for faster, more accurate readings. With stylish, modern backlighting, Luna's impressive display gives an aura of smart sophistication.

### Applications

Weighing | Parts counting | Percentage weighing | Checkweighing | Check counting | Dynamic/Animal weighing | Density determination



LCD display with large, bright digits on a black background



USB-A and RS-232 interfaces provide speedy communication with computers



Large, grade 304 stainless steel pan allows for easy cleaning

### Features

- Sealed keypad protects against dirt and spills
- Multilingual display permits use in various regions
- Parts counting with preset sample sizes
- Printouts include date and time for data tracking within Good Laboratory Practices (GLP) guidelines
- Selectable digital filtering for animal/dynamic weighing enables consistent results for moving subjects
- Security slot for optional lock and cable
- Weigh-below hook for density measurement

### General Specifications

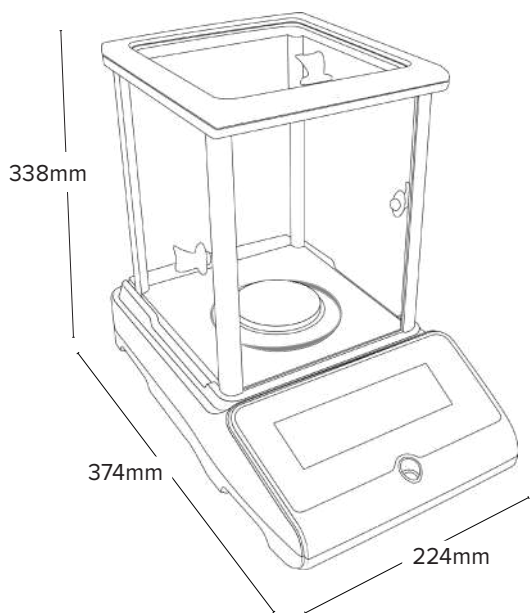
- Weighing units: g, mg, ct, GN, lb, oz, dwt, mm, ozt, tl.H, tl.S, tl.T, T, custom unit
- Interface: RS-232, USB
- Power supply: 18VDC 830mA adapter
- Display: Backlit LCD with 24mm-high digits
- Calibration: External, Internal automatic
- Housing: ABS Plastic
- Operating temperature: 10° to 30°C



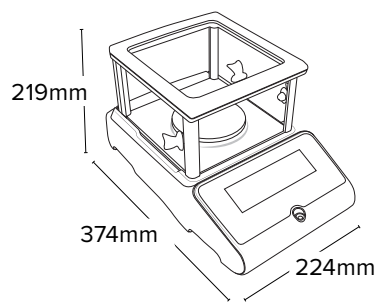
CLICK TO FIND ONLINE



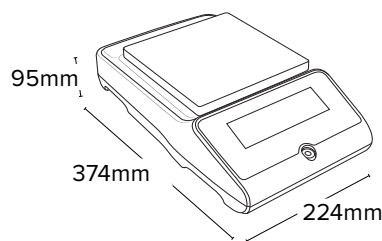
Anti-Vibration Table  
See pg. 83



**LAB Analytical Balance**



**LPB Precision Balance**



**LTB/LBB Precision Balance**

Model	Capacity	Readability	Pan Size	Net Weight
<b>LAB 124i</b>	120g	0.0001g	80mm ø	6.2kg
<b>LAB 214i</b>	210g	0.0001g	80mm ø	6.2kg
<b>LAB 254i</b>	250g	0.0001g	80mm ø	6.2kg
<b>LAB 124e</b>	120g	0.0001g	80mm ø	5.8kg
<b>LAB 214e</b>	210g	0.0001g	80mm ø	5.8kg
<b>LAB 254e</b>	250g	0.0001g	80mm ø	5.8kg
<hr/>				
<b>LPB 223i</b>	220g	0.001g	120mm ø	4.5kg
<b>LPB 423i</b>	420g	0.001g	120mm ø	4.5kg
<b>LPB 623i</b>	620g	0.001g	120mm ø	6.3kg
<b>LPB 823i</b>	820g	0.001g	120mm ø	6.3kg
<b>LPB 223e</b>	220g	0.001g	120mm ø	4.1kg
<b>LPB 423e</b>	420g	0.001g	120mm ø	4.1kg
<b>LPB 623e</b>	620g	0.001g	120mm ø	5.9kg
<b>LPB 823e</b>	820g	0.001g	120mm ø	5.9kg
<hr/>				
<b>LTB 2602i</b>	2600g	0.01g	185x185mm	5.9kg
<b>LTB 3602i</b>	3600g	0.01g	185x185mm	5.9kg
<b>LTB 4602i</b>	4600g	0.01g	185x185mm	5.9kg
<b>LTB 6002i</b>	6000g	0.01g	185x185mm	5.9kg
<b>LTB 2602e</b>	2600g	0.01g	185x185mm	4.5kg
<b>LTB 3602e</b>	3600g	0.01g	185x185mm	4.5kg
<b>LTB 4602e</b>	4600g	0.01g	185x185mm	4.5kg
<b>LTB 6002e</b>	6000g	0.01g	185x185mm	4.5kg
<hr/>				
<b>LBB 6001e</b>	6000g	0.1g	185x185mm	4.5kg
<b>LBB 8001e</b>	8000g	0.1g	185x185mm	4.5kg
<b>LBB 12001e</b>	12000g	0.1g	185x185mm	4.5kg
<b>LBB 15001e</b>	15000g	0.1g	185x185mm	4.5kg

Note: Draft shield not included with LTB/LBB (top loader) models.

Models ending in:  
 i: Internal Calibration  
 e: External Calibration



**NBL with Pillar**

Designed to be durable, Nimbus heavy-duty precision balances feature a solid metal base with a rugged indicator that can easily withstand rigorous daily use. Navigation buttons are large and colour-coded, helping users operate the balance with minimal training.

### Applications

Weighing | Parts counting | Percentage weighing | Checkweighing | Dynamic/Animal weighing | Density determination



Sealed keypad protects against dirt and spills



Large, grade 304 stainless steel pan for precision weighing to higher capacities



USB and RS-232 interfaces for speedy connection to printers and PCs

### Features

- Vivid, backlit LCD easily visible in any lighting conditions
- Capacity tracker built into display for easily monitoring possible overloads
- Programmable backlight can be set to “always on,” “always off” or “light only when weighing”
- Overload protection helps prevent damage to internal components
- Hook available for weighing below the balance
- Multilingual display permits use in various regions
- Security password control prevents unauthorised access
- Printouts include date and time for data tracking within Good Laboratory Practices (GLP) guidelines
- Selectable digital filtering helps minimise effects of vibration and disturbances

### General Specifications

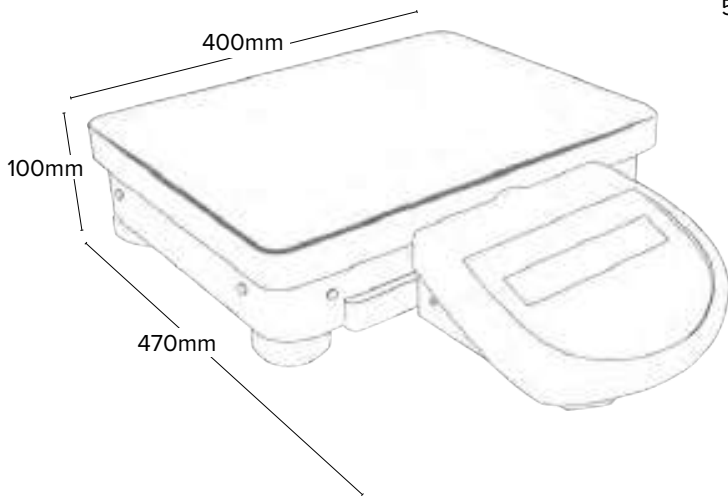
- Weighing units: g, kg, ct, GN, N, lb, oz, lb:oz, ozt, dwt, custom unit
- Interface: RS-232, USB
- Power Supply: 18VDC 830mA adapter
- Battery life (up to): 216 hours
- Display: Backlit LCD with 20mm-high digits
- Calibration: External
- Housing: ABS plastic indicator, aluminium extruded lower case, die-cast aluminium upper case and base
- Operating temperature: 15° to 35°C



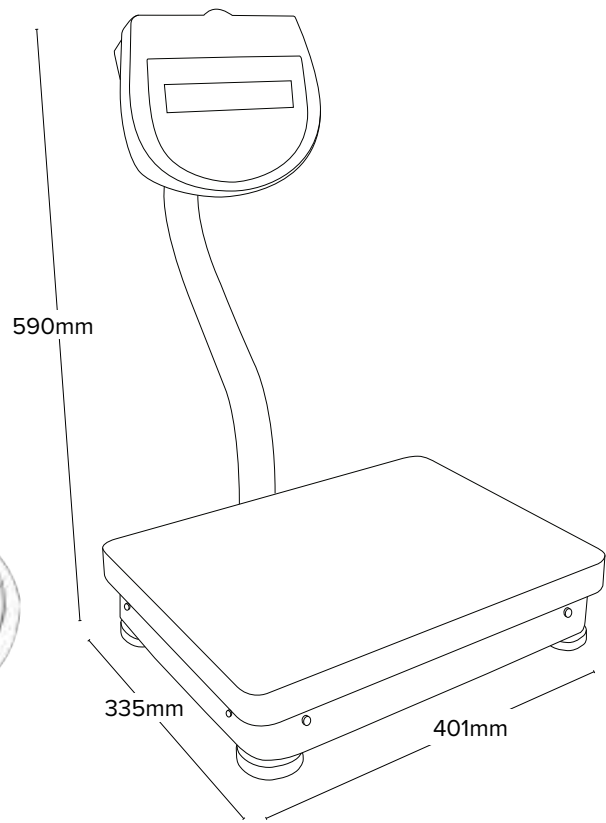
CLICK TO FIND ONLINE



Weigh-below Hook  
See pg. 68



**NBL Body-Mounted Balance**



**NBL Pillar-Mounted Balance**

Model	Capacity	Readability	Pan Size	Net Weight
<b>NBL 12001e</b>	12000g	0.1g	400x300mm	8.6kg
<b>NBL 16001e</b>	16000g	0.1g	400x300mm	8.6kg
<b>NBL 22001e</b>	22000g	0.1g	400x300mm	8.6kg
<b>NBL 12001P</b>	12000g	0.1g	400x300mm	8.6kg
<b>NBL 16001P</b>	16000g	0.1g	400x300mm	8.6kg
<b>NBL 22001P</b>	22000g	0.1g	400x300mm	8.6kg

Models ending in:  
 e: Body-mounted indicator  
 P: Pillar-mounted indicator



HCB



Adam Equipment's portable compact precision balances are the right choice for labs, classrooms, field settings or manufacturing operations. Lightweight and easy to operate, they are powered by AC adapter or battery, allowing use in the field or at remote testing locations where electricity is unavailable.

Compact balances are well-suited for performing basic mass measurement in general science lessons, chemistry labs and physics classrooms.

Models with a special stackable design are an excellent solution for labs or classrooms with limited space. Plus, Adam balances can perform quality control tasks and measurement for packaging and filling in small manufacturing facilities or food processing plants.

## Model Quick Finder

	CQT	HCB	CBX	CB	DCT	TBB
Stainless steel weighing pan	•	•	•	•		•
RS-232/USB interface		•				
Sealed keypad	•	•	•	•	•	
Internal rechargeable battery		•	•			
Battery power	•			•	•	
Stackable for easy storage	•	•				
Shockprotect® overload protection	•	•				
Internal automatic calibration		•				



CQT without Draft Shield

No balance can beat the Core for basic weighing value. Core's housing is simple to clean and designed to stack for easy storage. A basic keypad with dual tare keys makes Core balances easy to use.

### Applications

Weighing



Large, grade 304 stainless steel pan for easy cleaning



Shockprotect® helps protect internal components from damage if overloaded



120mm pan models offer a stackable design for easy storage

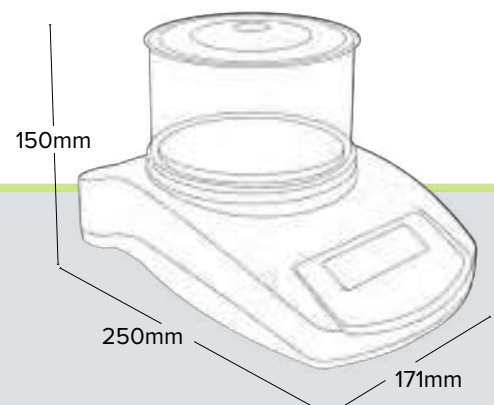
### Features

- Vivid backlit LCD easily visible in any lighting conditions
- Hook included for weighing below the balance
- Audible overload alarm warns when capacity is exceeded
- Zero-tracking feature ensures display returns to zero reading
- Security slot for optional security lock and cable to help prevent theft

### General Specifications

- Weighing units: g, kg, lb, oz, N, GN, ct, dr, tl.T
- Power supply: 12VDC 500mA adapter, 6 x AA Batteries
- Display: Backlit LCD with 18mm-high digits
- Calibration: External
- Housing: ABS Plastic
- Operating temperature: 0° to 40°C

Model	Capacity	Readability	Pan Size	Net Weight
<b>CQT 202</b>	200g	0.01g	120mm ø	0.9kg
<b>CQT 251</b>	250g	0.1g	120mm ø	0.9kg
<b>CQT 601</b>	600g	0.1g	120mm ø	0.9kg
<b>CQT 1501</b>	1500g	0.1g	120mm ø	0.9kg
<b>CQT 2601</b>	2600g	0.1g	145mm ø	0.9kg
<b>CQT 2000</b>	2000g	1g	145mm ø	0.9kg
<b>CQT 5000</b>	5000g	1g	145mm ø	0.9kg



CLICK TO FIND ONLINE





**HCB without Draft Shield**

Highland precision balances are well-suited for lab work, field use, and many industrial applications. Designed to be stackable for easy storage, the Highland features Shockprotect® as a safeguard against shock loading and accidental overload.

### Applications

Weighing | Parts counting | Percentage weighing | Accumulation



USB-B and RS-232 for speedy communication with printers and PCs



Shockprotect® helps protect internal components from overload damage



Stackable design for easy storage of multiple units (except HCB 6001)

### Features

- Vivid, backlit LCD easily visible in any lighting conditions
- Capacity tracker built into display for easily monitoring possible overloads
- Solid ABS housing is durable for industrial use
- Hook included for weighing below the balance (non-approved models only)
- Audible overload alarm warns when capacity is exceeded
- Zero-tracking feature ensures display returns to zero reading
- Parts counting with preset sample sizes
- Memory accumulation totals results
- Selectable digital filtering helps minimise effects of vibration and disturbances
- HandiCal® internal calibration eliminates need for external weight set\*

### General Specifications

- Weighing units:  
HCB: g, lb, oz, N, GN, ct, dr, dwt, mm, ozt, T, tl.H, tl.S, tl.T\*  
HCBM: g, ct, kg
- Interface: RS-232, USB
- Power supply: 12VDC 800mA adapter, Internal rechargeable battery
- Battery life (up to): 50 hours
- Display: Backlit LCD with 18mm-high digits
- Calibration: External, Internal automatic
- Housing: ABS Plastic
- Operating temperature: 0° to 40°C

\*lb, oz, and lb:oz are not legal for trade weighing units



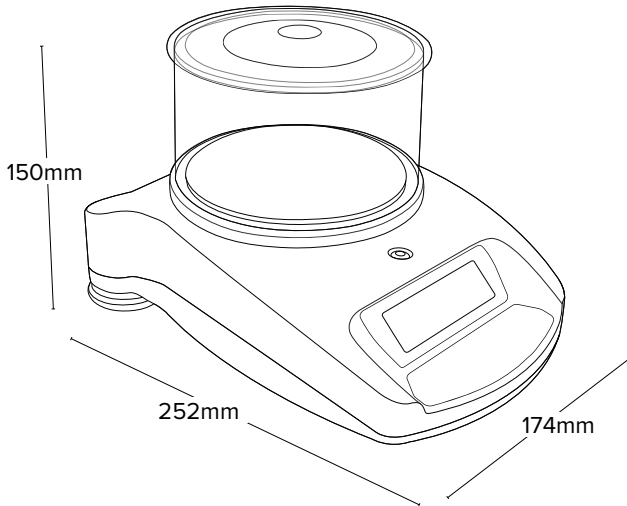
Hard Carrying Case  
See pg. 85



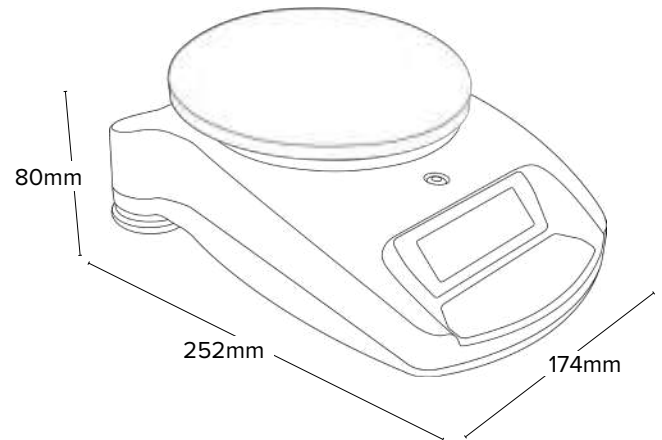
CLICK TO FIND ONLINE



\*available in non-approved models only



**HCB Precision Balance w/ draft shield**



**HCB 6001 Precision Balance**

Model	Capacity	Readability	Pan Size	Net Weight
<b>HCB 123</b>	120g	0.001g	120mm ø	2kg
<b>HCB 153</b>	150g	0.005g	120mm ø	2kg
<b>HCB 302</b>	300g	0.01g	120mm ø	2kg
<b>HCB 602</b>	600g	0.02g	120mm ø	2kg
<b>HCB 602H</b>	600g	0.01g	120mm ø	2kg
<b>HCB 1002</b>	1000g	0.01g	120mm ø	2kg
<b>HCB 1502</b>	1500g	0.05g	120mm ø	2kg
<b>HCB 2202</b>	2200g	0.01g	120mm ø	2kg
<b>HCB 3001</b>	3000g	0.1g	120mm ø	2kg
<b>HCB 6001</b>	6000g	0.1g	145mm ø	2kg

### Trade Approved Models **M**

Model	Capacity	Readability	Pan Size	Net Weight
<b>HCB 602M</b>	600g	d=0.01g e=0.1g	120mm ø	2kg
<b>HCB 1002M</b>	1000g	d=0.01g e=0.1g	120mm ø	2kg

Models ending in:  
H: High-readability model



### **DID YOU KNOW?**

The internal automatic calibration function of every HCB model helps your balance stay accurate – and means there's no need for external weights to calibrate the unit. Precision weighing peace of mind, for schools, labs and industrial users.



KEY ACCESSORIES



Calibration Certificate

CBX portable balances offer a standard USB-rechargeable battery for convenient charging. Sturdy construction and easy operation deliver reliable weighing and counting results.

## Applications

Weighing | Parts counting



Vivid, backlit LCD easily visible in any lighting conditions



Low-voltage USB input for flexibility powering the device



Grade 304 stainless steel pan for quick and easy cleaning

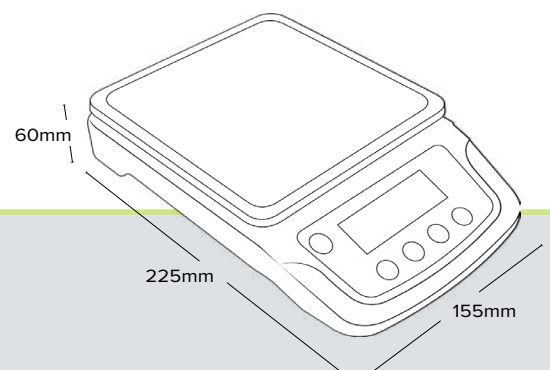
## Features

- Solid ABS housing is durable for industrial use
- Simple key operation allows for easy set up and operation
- Rechargeable battery included for operation almost anywhere
- Parts counting with preset sample sizes

Model	Capacity	Readability	Pan Size	Net Weight
CBX 1201	1200g	0.1g	148x148mm	0.6kg
CBX 3001	3000g	0.5g	148x148mm	0.6kg
CBX 6000	6000g	1g	148x148mm	0.6kg

## General Specifications

- Weighing units: g, N, lb, oz
- Power supply: USB option, 5VDC 1A adapter, Internal rechargeable battery
- Display: Backlit LCD with 18mm-high digits
- Calibration: External
- Housing: ABS Plastic
- Operating temperature: 0° to 40°C



CLICK TO FIND ONLINE





The CB compact scale boasts best-in-class performance and value. Its grade 304 stainless steel pan, sealed keypad and one-piece housing are easy to clean.

KEY ACCESSORIES



Power Adapter

### Applications

Weighing



Vivid, backlit LCD easily visible in any lighting conditions



Grade 304 stainless steel pan for quick and easy cleaning



Battery or mains operation for portability and flexibility

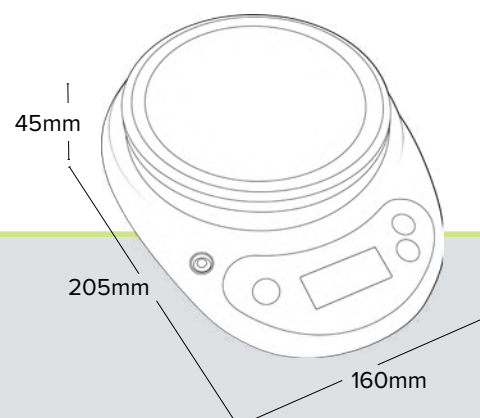
### Features

- Lightweight design simplifies transport and portability
- Sealed keypad protects against dirt and spills
- Simple operation allows quick startup and use with little or no training
- Zero-tracking feature ensures display returns to zero reading

### General Specifications

- Weighing units: g, lb, oz
- Power supply: 2 x AA Batteries, 6VDC 200mA adapter (optional)
- Display: LCD with 12mm-high digits
- Calibration: External
- Housing: ABS Plastic
- Operating temperature: 0° to 40°C

Model	Capacity	Readability	Pan Size	Net Weight
CB 501	500g	0.1g	130mm ø	0.4kg
CB 1001	1000g	0.1g	130mm ø	0.4kg
CB 3000	3000g	1g	130mm ø	0.4kg



CLICK TO FIND ONLINE





**DCT with Draft Shield**

With a user-friendly, low-profile design, the Dune compact balance offers simple operation using just three buttons: on/off, unit, and tare. The portable Dune delivers reliable readings in the lab or field.

### Applications

Weighing



High contrast display easily visible from a distance



Compact, lightweight design for use anywhere



Large pan removes easily for speedy cleaning

### Features

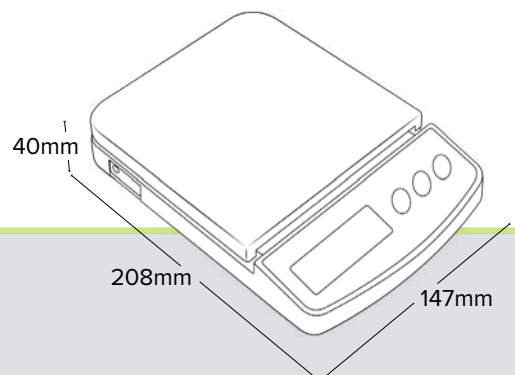
- Colour-coded keys facilitate quick recognition of the most frequently used buttons
- Overload protection helps prevent damage to internal components
- Sealed keypad protects against dirt and spills
- Zero-tracking feature ensures display returns to zero reading

### General Specifications

- Weighing units: g, lb\*, oz
- Power supply: 6x AA Batteries, 12VDC 500mA adapter
- Display: LCD with 15mm-high digits
- Calibration: External
- Housing: ABS Plastic
- Operating temperature: 0° to 40°C

\*lb not available in DCT 302 or DCT 201

Model	Capacity	Readability	Pan Size	Net Weight
<b>DCT 302</b>	300g	0.01g	100mm ø	0.5kg
<b>DCT 201</b>	200g	0.1g	145x145mm	0.5kg
<b>DCT 601</b>	600g	0.1g	145x145mm	0.5kg
<b>DCT 2001</b>	2000g	0.1g	145x145mm	0.5kg
<b>DCT 2000</b>	2000g	1g	145x145mm	0.5kg
<b>DCT 5000</b>	5000g	2g	145x145mm	0.5kg



CLICK TO FIND ONLINE





KEY ACCESSORIES



Weigh-Below Hook

Adam Equipment's patented TBB triple beam balance offers superb value for teaching mass measurement concepts. Sturdy metal housing and grade 304 stainless steel pan help the balance withstand daily student use.

## Applications

Weighing



Large, grade 304 stainless steel pan for easy cleaning



Supplied with tripod legs for using a weigh-below hook



Handy storage space for counter weights

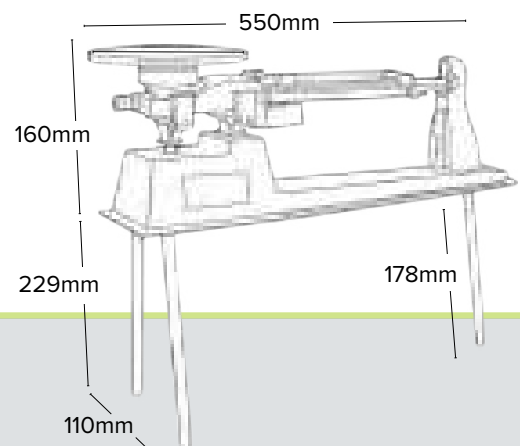
## Features

- Magnetic damping slows pointer movement for faster readings
- Notched, tiered, graduated beams ensure positive positioning and accurate reading of results
- Security slot for optional lock and cable to help prevent theft
- Optional hook enables below-balance weighing with legs attached
- The TBB 2610T is equipped with a 225g tare range

## General Specifications

- Weighing units: g
- Display: Graduated beam with 7mm-high digits
- Calibration: External
- Housing: Die-cast aluminium

Model	Capacity	Readability	Pan Size	Net Weight
TBB 2610S	2610g	0.1g	152mm ø	2.7kg
TBB 2610T	2610g	0.1g	152mm ø	2.7kg



CLICK TO FIND ONLINE





Fast and efficient, the PMB Moisture Analyser by Adam Equipment provides an alternative to the time-consuming method of oven testing. The PMB not only hastens the drying process, it minimises the possibility of burning a sample, which can produce false results.

PMB uses the "loss-on-drying" technique to simultaneously weigh and heat the sample, reducing the testing period and providing greater measurement accuracy. In many cases, the PMB can replace traditional oven testing and also the Karl Fischer titration method of analysing moisture.



**Fast Heating**  
400-watt halogen bulb heats samples quickly



**Pan Lifter**  
Pan lifter allows easy sample placement and removal



**Clear Results**  
Easy to read backlit LCD with built-in capacity tracker for potential overloads



KEY ACCESSORIES



Temp Calibration Kit



Sample Pans

With simple operation and rapid response time, the PMB offers top value in moisture analysis. USB and RS-232 interfaces facilitate connectivity, whilst a second USB port allows storage of test programmes and data on flash drives.

### Applications

Weighing | Moisture determination



USB host for memory card, USB I/O and RS-232 interfaces



Four preset drying methods allow test routines for a wide variety of samples



Pan lifter allows easy placement and removal of samples

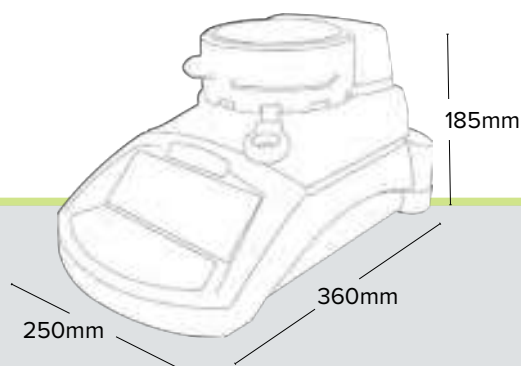
### Features

- Scratch-resistant aluminium housing
- Temperature range 50°C to 160°C in one-degree increments
- Three settings for heating sample include ramp-up, stepped temperatures and single temperature
- Audible overload alarm warns when capacity is exceeded
- Multilingual display permits use in various regions
- Internal memory stores 49 different recipes and up to 99 test results, and additional test results and settings can be stored on a flash drive

### General Specifications

- Weighing units: g, %M, %S, ATRO %M, ATRO %S
- Interface: RS-232, USB
- Power supply: Power cord
- Display: Backlit LCD with 24mm-high digits
- Calibration: External
- Housing: Die-cast aluminium
- Operating temperature: 0° to 40°C

Model	Capacity	Readability	Pan Size	Net Weight
<b>PMB 53</b>	50g	0.001g / 0.01%	100mm ø	6kg
<b>PMB 163</b>	160g	0.001g / 0.01%	100mm ø	6kg
<b>PMB 202</b>	200g	0.01g / 0.05%	100mm ø	6kg



CLICK TO FIND ONLINE





CPWplus M

Adam Equipment's durable bench and floor scales are dependable weighing solutions for a wide variety of industries. Simple to operate, these industrial scales offer the functions and features needed to improve efficiency and increase productivity in factories and warehouses, on assembly lines or loading docks, during shipping and receiving activities, and at manufacturing locations.

Available in a range of capacities and readabilities, Adam's bench and floor scales have sturdy stainless steel weighing pans and platforms in a choice of sizes to meet your needs – from basic weighing to checkweighing, packaging and monitoring inventory, and performing quality control tasks.

### Model Quick Finder

	LBX	CKT	CPWplus	GFK & GBK	AGB & AGF	BKT
Stainless steel weighing pan	•	•	•	•	•	•
RS-232 interface		•	•	•	•	•
Sealed keypad	•	•	•	•	•	•
Checkweighing function		•		•	•	
Basic checkweighing	•					•
Built-in printer						•
Optional Printer		•	•	•	•	•
Memory accumulation function		•		•		•



KEY ACCESSORIES



Hard Carrying Case

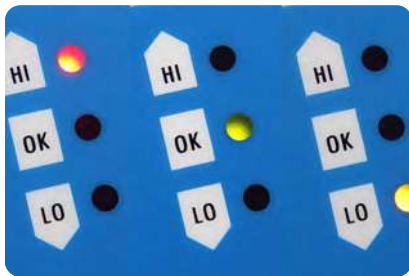


In-Use Cover

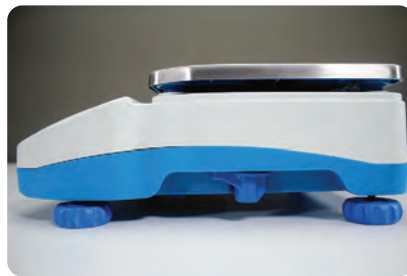
With simple operation and a variety of modes, our robust, dependable Latitude compact bench scales deliver excellent value for quick, basic weighing and counting needs.

## Applications

Weighing | Parts counting | Percentage weighing | Checkweighing | Display hold



Checkweighing LEDs show under, over or within limits



Rugged construction stands up to industrial use



Rechargeable battery included for operation almost anywhere

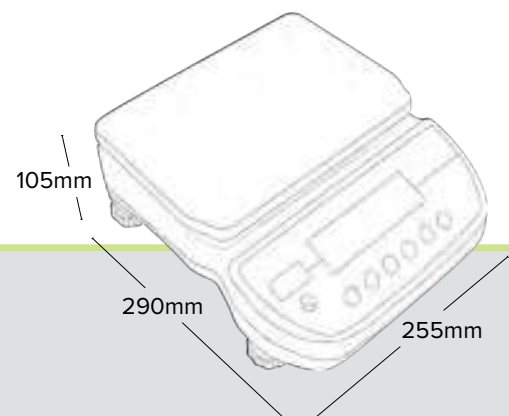
## Features

- Vivid, backlit LCD easily visible in any lighting conditions
- Overload protection helps prevent damage to internal components
- Sealed keypad protects against dirt and spills
- Large, grade 304 stainless steel pan allows for swift cleaning
- Checkweighing with audible alarm
- Hold function freezes the displayed weight
- Parts counting with preset sample sizes
- Simple operation allows quick startup and use with little or no training

## General Specifications

- Weighing units: g, kg, lb, lb:oz, oz
- Power supply: 5VDC 1A adapter, Internal rechargeable battery
- Battery life (up to): 210 hours
- Display: Backlit LCD with 24mm-high digits
- Calibration: External
- Housing: ABS Plastic
- Operating temperature: 0° to 40°C

Model	Capacity	Readability	Pan Size	Net Weight
LBX 3	3kg	0.5g	245x180mm	2.5kg
LBX 6	6kg	1g	245x180mm	2.5kg
LBX 12	12kg	2g	245x180mm	2.5kg
LBX 30	30kg	5g	245x180mm	2.5kg



CLICK TO FIND ONLINE





KEY ACCESSORIES



Large & Small Scoops



Hard Carrying Case

Ideal for inventory control or packaging tasks, the Cruiser CKT can save money by reducing waste and overages. Repetitive checkweighing tasks are accomplished quickly with a backlit display that changes colour to show if a sample is under, over, or within the preset limits.

### Applications

Weighing | Parts counting | Percentage weighing | Checkweighing | Check counting | Net total weighing | Accumulation



Display changes colour for quick notification of checkweighing limits



Checkweighing function features audible alarm



Sealed keypad protects against dirt and spills

### Features

- Large, grade 304 stainless steel pan allows for quick cleaning
- Rechargeable battery included for operation almost anywhere
- Internal counting resolution 1:1,600,000 for precise results
- RS-232 for speedy communication to PCs and printers
- Optional USB interface for data communication
- Solid ABS housing for industrial use
- Drip channels help divert spills away from internal components
- Parts counting optimisation automatically refines piece weight as parts are added
- Piece counting with freely selectable sample sizes
- Preset tare function
- Optional weigh-below hook ideal for materials testing applications

### General Specifications

- Weighing units: g, kg, lb, oz, lb:oz\*
- Interface: RS-232, Optional USB
- Power Supply: 12VDC 800mA adapter, Internal rechargeable battery
- Battery life (up to): 100 hours
- Display: Backlit LCD with 15mm-high digits
- Calibration: External
- Housing: ABS Plastic
- Operating temperature: -10° to 40°C

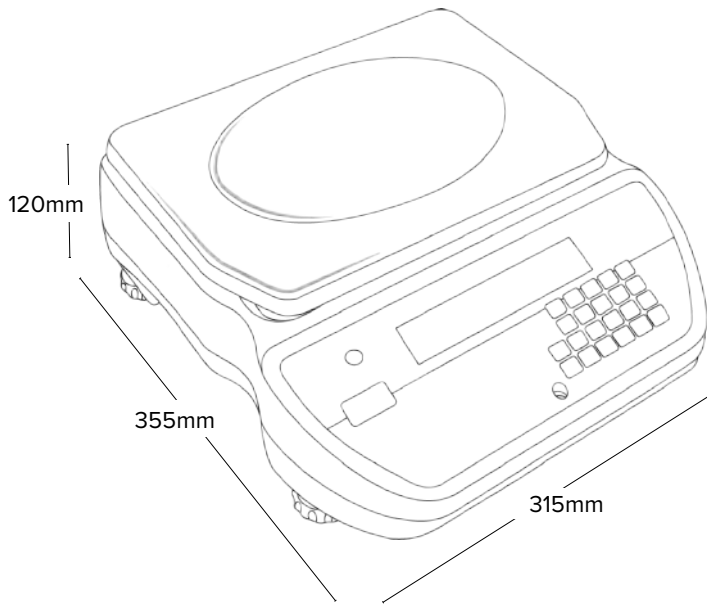
\*lb, oz, and lb:oz are not legal for trade weighing units



CLICK TO FIND ONLINE



\*Hook/USB optional



Model	Capacity	Readability	Pan Size	Net Weight
<b>CKT 4</b>	4kg	0.1g	300x210mm	3.3kg
<b>CKT 8</b>	8kg	0.2g	300x210mm	3.3kg
<b>CKT 8H</b>	8kg	0.1g	300x210mm	3.3kg
<b>CKT 16</b>	16kg	0.5g	300x210mm	3.3kg
<b>CKT 32</b>	32kg	1g	300x210mm	3.3kg
<b>CKT 48</b>	48kg	2g	300x210mm	3.3kg
<b>CKT 8UH</b>	8kg	0.05g	300x210mm	3.3kg
<b>CKT 16UH</b>	16kg	0.1g	300x210mm	3.3kg
<b>CKT 32UH</b>	32kg	0.2g	300x210mm	3.3kg
<b>CKT 48UH</b>	48kg	0.5g	300x210mm	3.3kg

## Trade Approved Models **M**

Model	Capacity	Readability	Pan Size	Net Weight
<b>CKT 4M</b>	4kg	1g	300x210mm	3.3kg
<b>CKT 8M</b>	8kg	2g	300x210mm	3.3kg
<b>CKT 20M</b>	20kg	5g	300x210mm	3.3kg
<b>CKT 40M</b>	40kg	10g	300x210mm	3.3kg

Models ending in:

H: High-readability model

UH: Ultra-high readability model



### **DID YOU KNOW?**

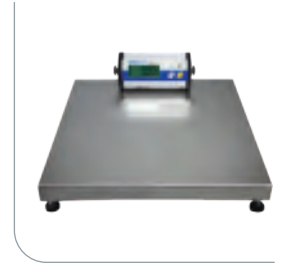
Cruiser CKT bench scales are commonly used for approved applications – where the weight of an item or items determines the price. For such tasks a trade approved scale is required by law. Choose from our 'M' models above!



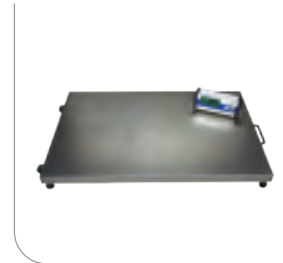
CPWplus Standard



CPWplus P

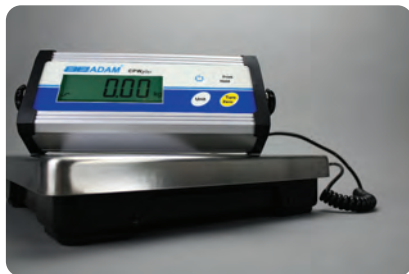


CPWplus M



CPWplus L

Durable and versatile, CPWplus weighing scales feature a wide selection of sizes and configurations. The CPWplus is able to accommodate many industrial jobs, including concrete testing in the field, warehouse tasks or shipping and receiving duties, as well as animal weighing within veterinary practices, zoos and at home.



Grade 304 stainless steel base available in three sizes



Separate indicator that can be wall-mounted with the bracket provided



Hold function freezes the display, allowing time to elapse without losing the result

## Features

- Rugged construction stands up to industrial use
- Splash-proof housing, keypad and display are easy to clean
- "L" models feature handles and wheels on the base for transportation
- Selectable digital filtering helps minimise effects of vibration and disturbances
- Zero-tracking feature ensures display returns to zero reading

## General Specifications

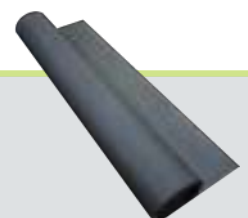
- Weighing units: kg, lb, lb:oz, oz
- Interface: RS-232
- Power supply (Standard and P Models): 12VDC 500mA adapter, 6 x AA Batteries
- Power supply (L and M Models): 12VDC 800mA adapter, Internal rechargeable battery
- Battery life (up to): 210 hours (L and M Models)
- Display: Backlit LCD with 22mm-high digits
- Calibration: External
- Housing: Mild steel base with aluminium extrusion display
- Operating temperature: 0° to 40°C



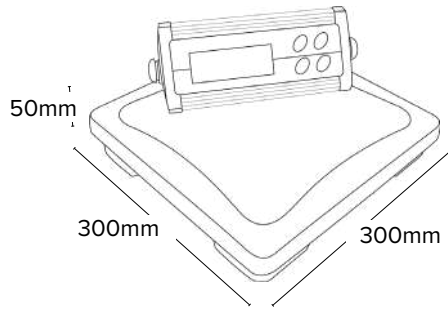
CLICK TO FIND ONLINE



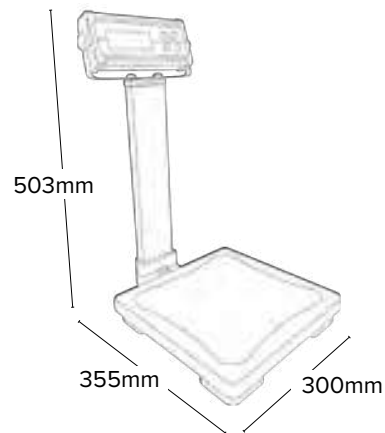
\*L and M models only



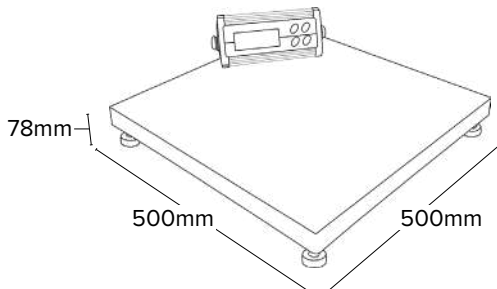
Non-slip Rubber Mat See pg. 81



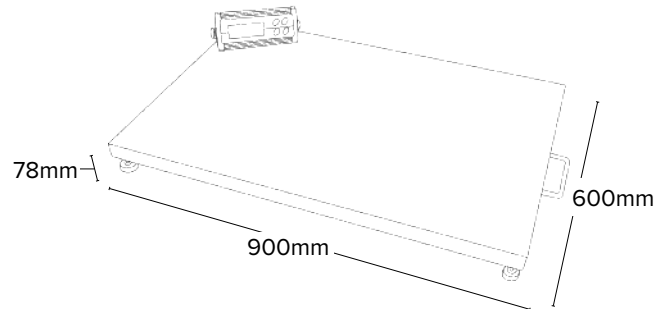
**CPWplus - Standard Pan**



**CPWplus P - Pillar Mount**



**CPWplus M - Medium Pan**



**CPWplus L - Large Pan**

Model	Capacity	Readability	Pan Size	Net Weight
<b>CPWplus 6</b>	6kg	0.002kg	300x300mm	4kg
<b>CPWplus 15</b>	15kg	0.005kg	300x300mm	4kg
<b>CPWplus 35</b>	35kg	0.01kg	300x300mm	4kg
<b>CPWplus 75</b>	75kg	0.02kg	300x300mm	4kg
<b>CPWplus 150</b>	150kg	0.05kg	300x300mm	4kg
<b>CPWplus 200</b>	200kg	0.05kg	300x300mm	4kg
<b>CPWplus 6P</b>	6kg	0.002kg	300x300mm	4kg
<b>CPWplus 15P</b>	15kg	0.005kg	300x300mm	4kg
<b>CPWplus 35P</b>	35kg	0.01kg	300x300mm	4kg
<b>CPWplus 75P</b>	75kg	0.02kg	300x300mm	4kg
<b>CPWplus 150P</b>	150kg	0.05kg	300x300mm	4kg
<b>CPWplus 200P</b>	200kg	0.05kg	300x300mm	4kg
<b>CPWplus 35M</b>	35kg	0.01kg	500x500mm	8.9kg
<b>CPWplus 75M</b>	75kg	0.02kg	500x500mm	8.9kg
<b>CPWplus 150M</b>	150kg	0.05kg	500x500mm	8.9kg
<b>CPWplus 200M</b>	200kg	0.05kg	500x500mm	8.9kg
<b>CPWplus 35L</b>	35kg	0.01kg	900x600mm	14.4kg
<b>CPWplus 75L</b>	75kg	0.02kg	900x600mm	14.4kg
<b>CPWplus 150L</b>	150kg	0.05kg	900x600mm	14.4kg
<b>CPWplus 200L</b>	200kg	0.05kg	900x600mm	14.4kg
<b>CPWplus 300L</b>	300kg	0.1kg	900x600mm	14.4kg

Features for Models ending in:

P: Pillar Mount

M: Medium Pan

L: Large Pan

Ideal for industrial settings, GBK and GFK checkweighing scales are the answer for businesses that need heavy-duty durability and speed. Available in Standard, Plus or PlusM set-ups, with a colour changing backlight to make checkweighing even easier.

### Applications

Weighing | Basic parts counting | Percentage weighing | Checkweighing | Accumulation | Dynamic/Animal weighing (GK-Plus/PlusM) | Net total weighing (GK-Plus/PlusM)



GBK-Plus



GBK-S



GFK-PlusM



Simple, 5-button keypad layout for quick and easy weighing tasks



Full numeric keypad for easier checkweighing



Trade approved for applications where weight determines price

### Common Features

- Unmistakable results every time from a bright, clear display
- Backlight changes colour (red, amber, green) during checkweighing
- Sealed keypad to protect against dirt and spills
- Capacity tracker built into display for easily monitoring possible overloads
- RS-232 (and optional USB) interfaces provide speedy connection to computers and printers
- Memory accumulation totals results
- Basic parts counting with freely selectable sample sizes
- Parts counting optimisation automatically refines piece weight as parts are added
- 1:1,600,000 internal counting resolution for precise results

### General Specifications

- Weighing units: g, kg, lb, lb:oz, oz\*
- Interface: RS-232, Optional USB
- Power supply: Power cord, internal rechargeable battery (optional extra on Standard models)
- Battery life (up to): 120 hours
- Display: LCD with 40mm-high digits
- Calibration: External
- Housing: ABS Plastic indicator with mild steel base
- Operating temperature: -10° to 40°C

\*lb, oz, and lb:oz are not legal for trade weighing units



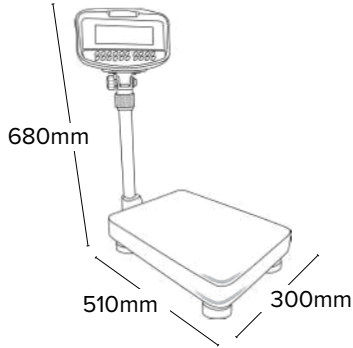
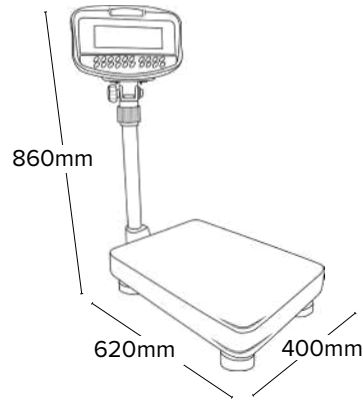
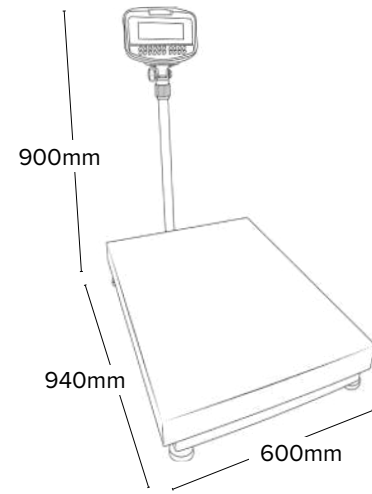
Backlight changes colour during checkweighing



CLICK TO FIND ONLINE



\*Not available on standard models


**GBK Bench Scale**

**GFK Floor Scale**

**GFK 600 Floor Scale**

STANDARD MODELS

Model	Capacity	Readability	Pan Size	Net Weight
<b>GBK-S 8</b>	8kg	0.1g	400x300mm	7.6kg
<b>GBK-S 16</b>	16kg	0.5g	400x300mm	7.6kg
<b>GBK-S 32</b>	32kg	1g	400x300mm	7.6kg
<b>GBK-S 60</b>	60kg	2g	400x300mm	7.6kg
<b>GBK-S 120</b>	120kg	5g	400x300mm	7.6kg
<b>GFK-S 75</b>	75kg	5g	500x400mm	12.5kg
<b>GFK-S 75H</b>	75kg	1g	500x400mm	12.5kg
<b>GFK-S 50</b>	150kg	10g	500x400mm	12.5kg
<b>GFK-S 150H</b>	150kg	2g	500x400mm	12.5kg
<b>GFK-S 300</b>	300kg	20g	500x400mm	12.5kg
<b>GFK-S 600</b>	600kg	50g	800x600mm	25.5kg

PLUS MODELS

Model	Capacity	Readability	Pan Size	Net Weight
<b>GBK-Plus 8</b>	8kg	0.1g	400x300mm	7.6kg
<b>GBK-Plus 16</b>	16kg	0.5g	400x300mm	7.6kg
<b>GBK-Plus 32</b>	32kg	1g	400x300mm	7.6kg
<b>GBK-Plus 60</b>	60kg	2g	400x300mm	7.6kg
<b>GBK-Plus 120</b>	120kg	5g	400x300mm	7.6kg
<b>GFK-Plus 75</b>	75kg	5g	500x400mm	12.5kg
<b>GFK-Plus 75H</b>	75kg	1g	500x400mm	12.5kg
<b>GFK-Plus 150</b>	150kg	10g	500x400mm	12.5kg
<b>GFK-Plus 150H</b>	150kg	2g	500x400mm	12.5kg
<b>GFK-Plus 300</b>	300kg	20g	500x400mm	12.5kg
<b>GFK-Plus 600</b>	600kg	50g	800x600mm	25.5kg

PLUSM MODELS

Model	Capacity	Readability	Pan Size	Net Weight
<b>GBK-Plus 6M</b>	6kg	2g	400x300mm	7.6kg
<b>GBK-Plus 15M</b>	15kg	5g	400x300mm	7.6kg
<b>GBK-Plus 30M</b>	30kg	10g	400x300mm	7.6kg
<b>GBK-Plus 60M</b>	60kg	20g	400x300mm	7.6kg
<b>GBK-Plus 150M</b>	150kg	50g	400x300mm	7.6kg
<b>GFK-Plus 60M</b>	60kg	20g	500x400mm	12.5kg
<b>GFK-Plus 150M</b>	150kg	50g	500x400mm	12.5kg
<b>GFK-Plus 300M</b>	300kg	100g	500x400mm	12.5kg

Models ending in:

H: High-readability

Easy to operate AGB and AGF stainless steel scales are well-suited for use in warehouses, shipping and receiving areas, factories and production facilities. The scales offer capacities from 8kg to 600kg and perform a variety of weighing tasks. Featuring an internal rechargeable battery, the AGB/AGF can be used in locations where power is unavailable.

### Applications

Weighing | Parts counting | Percentage weighing | Checkweighing | Check counting | Dynamic/Animal weighing | Display hold | Peak hold



AGB



AGB without Pillar



Display backlight changes colour during checkweighing



Rugged, IP68-certified waterproof indicator can be washed down



Large, grade 304 stainless steel pan for easy cleaning

### Features

- Rugged construction stands up to industrial use
- RS-232 interface provides speedy connection to computers and printers
- Rechargeable battery included for operation almost anywhere
- Hold function freezes the displayed weight, allowing time to elapse without losing the result
- Checkweighing with audible alarm
- Parts counting with preset sample sizes
- Preset tare function speeds the process of repetitive weighing
- Selectable digital filtering for dynamic/animal weighing enables consistent results for moving subjects

### General Specifications

- Weighing units: g, kg, lb, lb:oz, oz\*
- Interface: RS-232
- Power supply: Fixed mains power cord, Internal rechargeable battery
- Battery life (up to): 120 hours
- Display: Backlit LCD with 40mm-high digits
- Calibration: External
- Housing: Stainless steel indicator with mild steel base
- Operating temperature: -10° to 40°C

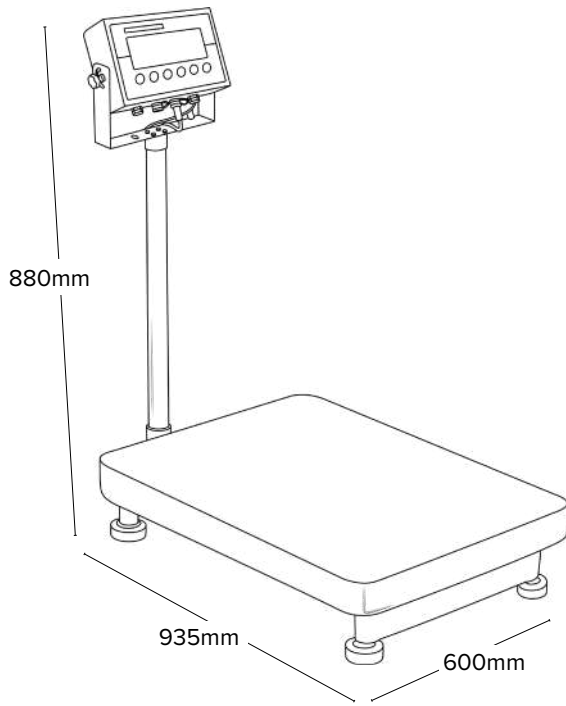
\*lb, oz, and lb:oz are not legal for trade weighing units



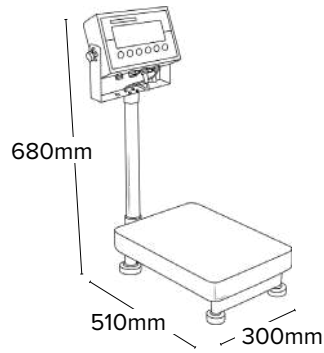
CLICK TO FIND ONLINE



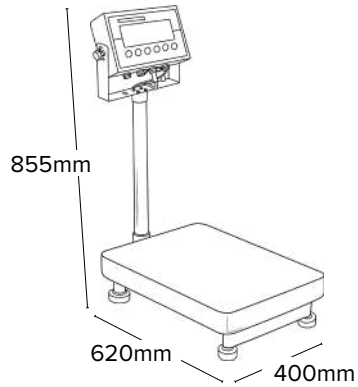
Relay Box  
See pg. 81



**AGF 600 Floor Scale**



**AGB Bench Scale**



**AGF Floor Scale**

Model	Capacity	Readability	Pan Size	Net Weight
<b>AGB 8</b>	8kg	0.1g	400x300mm	14kg
<b>AGB 16</b>	16kg	0.2g	400x300mm	14kg
<b>AGB 35</b>	35kg	0.5g	400x300mm	14kg
<b>AGB 70</b>	70kg	1g	400x300mm	14kg
<b>AGF 150</b>	150kg	5g	500x400mm	18kg
<b>AGF 300</b>	300kg	10g	500x400mm	18kg
<b>AGF 600</b>	600kg	20g	800x600mm	35kg

### Trade Approved Models **M**

Model	Capacity	Readability	Pan Size	Net Weight
<b>AGB 6M</b>	6kg	2g	400x300mm	14kg
<b>AGB 15M</b>	15kg	5g	400x300mm	14kg
<b>AGB 30M</b>	30kg	10g	400x300mm	14kg
<b>AGB 60M</b>	60kg	20g	400x300mm	14kg
<b>AGF 60M</b>	60kg	20g	500x400mm	18kg
<b>AGF 150M</b>	150kg	50g	500x400mm	18kg
<b>AGF 300M</b>	300kg	100g	500x400mm	18kg

BKT label printing scales offer the durability needed for manufacturing, packing, distribution, shipping and receiving tasks. The scale features a built-in printer for creating labels with weight, QR codes, barcodes and more in numerous languages.

### Applications

Weighing | Basic parts counting | Percentage weighing | Checkweighing | Accumulation | Dynamic/Animal weighing | Display hold | Peak hold | Barcode/Label printing



**BKT Floor Scale**



**BKT Bench Scale**



**BKT without Pillar**



Large, 34mm-high digits on vivid, backlit display



Grade 304 stainless steel pan stands up to industrial use



Built-in printer - get weight data, QR codes, barcodes and more

### Features

- RS-232 interface provides speedy connection to computers and printers
- Checkweighing function with audible alarm
- Sealed keypad protects against dirt and spills
- Overload protection helps prevent damage to internal components
- Memory accumulation totals results
- Parts counting optimisation automatically refines piece weight as parts are added
- Rechargeable battery included for operation almost anywhere
- Selectable digital filtering helps minimise effects of vibration and disturbances

### General Specifications

- Weighing units: g, kg, lb, lb:oz, oz
- Interface: RS-232
- Power supply: 12VDC 3A adapter, 10Ah Internal rechargeable battery
- Battery life (up to): 110 hours
- Display: Backlit LCD with 34mm-high digits
- Calibration: External
- Housing: ABS Plastic indicator with mild steel base
- Standard label size (WxH): 50x30mm (labels up to 60mm height can be used)
- Operating temperature: -10° to 40°C

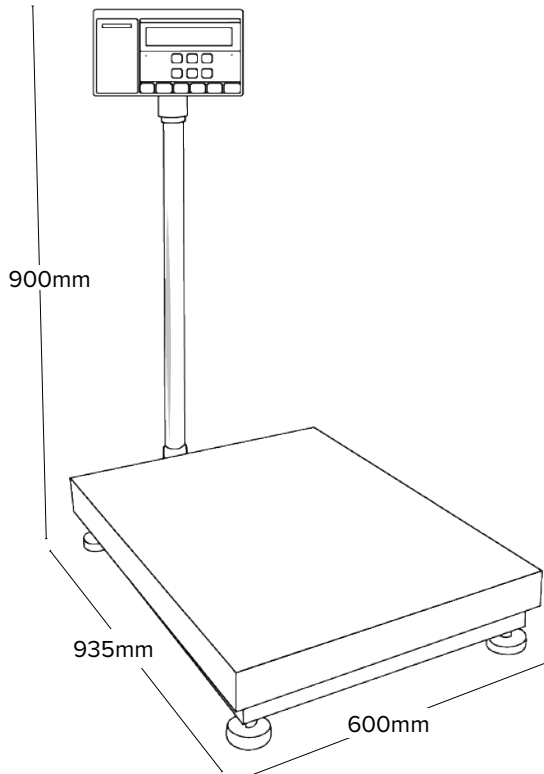


Labels  
See pg. 81

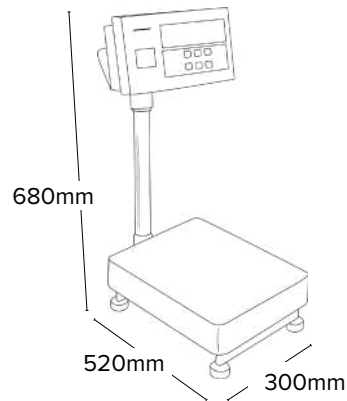


CLICK TO FIND ONLINE

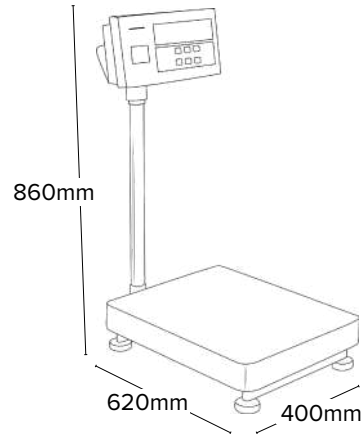




**BKT 600 Floor Scale**



**BKT Bench Scale**



**BKT Bench Scale**  
BKT 75, BKT 150, BKT 300

Model	Capacity	Readability	Pan Size	Net Weight
<b>BKT 8</b>	8kg	0.1g	400x300mm	8.5kg
<b>BKT 16</b>	16kg	0.5g	400x300mm	8.5kg
<b>BKT 32</b>	32kg	1g	400x300mm	8.5kg
<b>BKT 60</b>	60kg	2g	400x300mm	8.5kg
<b>BKT 75</b>	75kg	5g	500x400mm	13.5kg
<b>BKT 120</b>	120kg	5g	400x300mm	8.5kg
<b>BKT 150</b>	150kg	10g	500x400mm	13.5kg
<b>BKT 300</b>	300kg	20g	500x400mm	13.5kg
<b>BKT 600</b>	600kg	50g	800x600mm	26.5kg

### **DID YOU KNOW?**



Free software is provided for the BKT, allowing users to create fully customised label designs on a PC. It's easy to use and within minutes you can have labels ready to go featuring a company logo, weight, date and more.

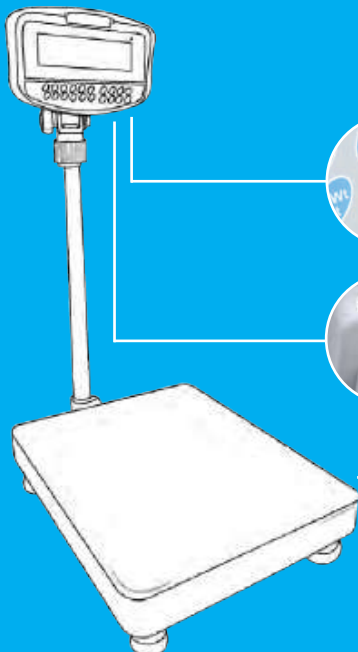


CCT

With a choice of sizes, capacities, readabilities and options, Adam Equipment counting scales can easily accommodate counting, check counting, filling, checkweighing and accumulation needs. They are able to quickly and accurately count parts, saving time in manufacturing applications and reducing waste when filling packs.

Simple to use, Adam's counting scales are available with a single display, or with three displays to simultaneously show unit weight, count and total weight. Adam offers dual counting scales, which maximise efficiency by allowing the use of a second auxiliary platform when counting large quantities.

GFC pg. 42



**Preset Tare**  
Preset tare function speeds up the process of repetitive counting



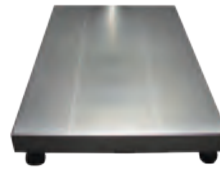
**Rechargeable Battery**  
Rechargeable battery included for operation almost anywhere



**Stainless Steel Pan**  
Large, grade 304 stainless steel pan allows for quick cleaning



KEY ACCESSORIES



Remote Bases pg.63-65



In-Use Cover

CDT has the ability to connect to a larger, optional remote base to count large numbers of items in oversized containers. Users can switch between weighing on the built-in pan or auxiliary platform.

### Applications

Parts counting | Check counting | Weighing | Net total weighing



Backlit LCD displays show weight, unit weight and total count clearly



Internal counting resolution of 1:1,600,000 for precise results



Count greater quantities accurately by connecting to a second base

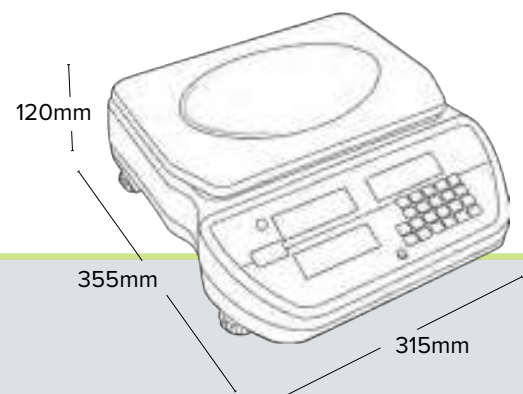
### Features

- Freely selectable sample sizes
- Solid ABS housing provides durability for industrial use
- Rechargeable battery for operation almost anywhere
- Built-in memory for storing products and settings
- Parts counting optimisation automatically refines piece weight as parts are added
- Preset tare function speeds the process of repetitive weighing
- Programmable for counting to a preset number of parts
- RS-232 interface provides speedy connection to computers and printers

### General Specifications

- Weighing units: kg, lb
- Interface: RS-232
- Power supply: 12VDC 800mA adapter, Internal rechargeable battery
- Battery life (up to): 100 hours
- Display: Backlit LCD with 15mm-high digits
- Calibration: External
- Housing: ABS Plastic
- Operating temperature: -10° to 40°C

Model	Capacity	Readability	Pan Size	Net Weight
CDT 4	4kg	0.1g	300x210mm	4.4kg
CDT 8	8kg	0.2g	300x210mm	4.4kg
CDT 16	16kg	0.5g	300x210mm	4.4kg
CDT 32	32kg	1g	300x210mm	4.4kg
CDT 48	48kg	2g	300x210mm	4.4kg



CLICK TO FIND ONLINE



Find remote bases compatible with the CDT on page 63-65



KEY ACCESSORIES



ATP2 Thermal Printer



Large &amp; Small Scoops

Cruiser CCT offers intelligent functions that are practical for shipping and receiving, warehouse use, and production facilities. Help reduce waste by using the CCT to quickly check the number of pieces in a container.

## Applications

Parts counting | Check counting |  
Weighing | Net total weighing



Backlit LCD displays show weight, unit weight and total count clearly



Internal counting resolution of 1:1,600,000 for precise results



RS-232/optional USB interface provides connection to printers and computers

## Features

- Freely selectable sample sizes
- Solid ABS housing provides durability for industrial use
- Rechargeable battery for operation almost anywhere
- Built-in memory for storing products and settings
- Parts counting optimisation automatically refines piece weight as parts are added
- Preset tare function speeds the process of repetitive weighing
- Programmable for counting to a preset number of parts

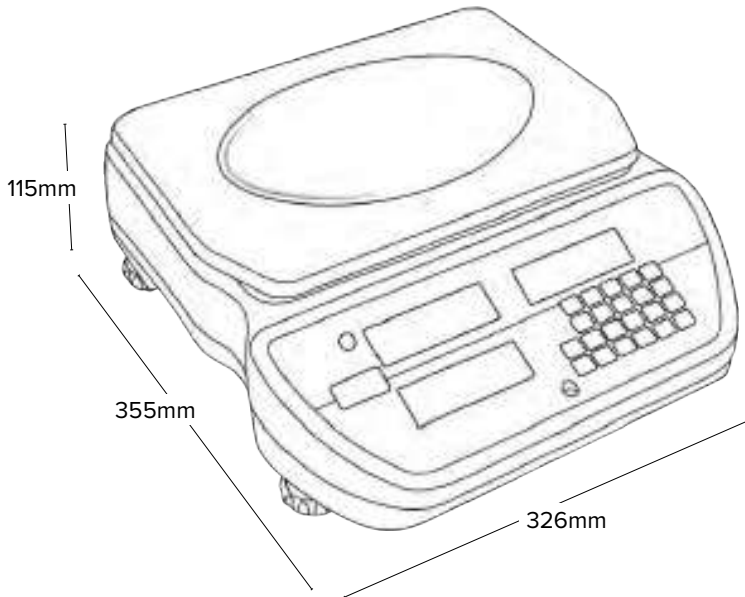
## General Specifications

- Weighing units: g, kg, lb
- Interface: RS-232, Optional USB
- Power supply: 12VDC 800mA adapter, Internal rechargeable battery
- Battery life (up to): 100 hours
- Display: Backlit LCD with 15mm-high digits
- Calibration: External
- Housing: ABS Plastic
- Operating temperature: -10° to 40°C



CLICK TO FIND ONLINE





Model	Capacity	Readability	Pan Size	Net Weight
<b>CCT 4</b>	4kg	0.1g	300x210mm	3.3kg
<b>CCT 8</b>	8kg	0.2g	300x210mm	3.3kg
<b>CCT 16</b>	16kg	0.5g	300x210mm	3.3kg
<b>CCT 32</b>	32kg	1g	300x210mm	3.3kg
<b>CCT 48</b>	48kg	2g	300x210mm	3.3kg
<b>CCT 8UH</b>	8kg	0.05g	300x210mm	3.3kg
<b>CCT 16UH</b>	16kg	0.1g	300x210mm	3.3kg
<b>CCT 32UH</b>	32kg	0.2g	300x210mm	3.3kg
<b>CCT 48UH</b>	48kg	0.5g	300x210mm	3.3kg

## Trade Approved Models **M**

Model	Capacity	Readability	Pan Size	Net Weight
<b>CCT 4M</b>	4kg	1g	300x210mm	3.3kg
<b>CCT 8M</b>	8kg	2g	300x210mm	3.3kg
<b>CCT 20M</b>	20kg	5g	300x210mm	3.3kg
<b>CCT 40M</b>	40kg	10g	300x210mm	3.3kg

Models ending in:  
UH: Ultra-high readability model



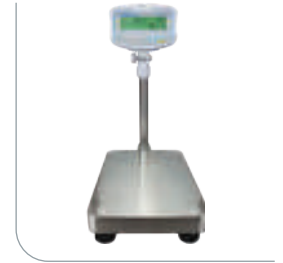
### **DID YOU KNOW?**

You can store up to 140 PLUs in the Cruiser CCT's memory! This makes regular counting tasks even quicker, allowing you to quickly recall the piece weight of a given item – without needing to get a sample weight/count first.

GBC and GFC parts-counting bench and floor scales offer a combination of features and durability, making them well-suited for demanding industrial counting tasks. A numeric keypad simplifies unit weight and sample entry, while the display shows total weight, unit weight and number of pieces. With its larger capacities and base size, the GFC can be used for counting and weighing large items or greater quantities of small items.

### Applications

Parts counting | Check counting | Weighing



Backlit LCD shows weight, unit weight and count in one convenient location



Internal counting resolution of 1:600,000 for precise results



RS-232 interface provides speedy connection to computers and printers

### Features

- Large, grade 304 stainless steel pan allows for easy cleaning
- Splash-proof housing, keypad and display are easy to clean
- Rechargeable battery included for operation almost anywhere
- Audible overload alarm warns when capacity is exceeded
- User can program alarm to sound when preset total is reached
- Parts counting optimisation automatically refines piece weight as parts are added
- Printouts include date and time for data tracking within Good Laboratory Practices (GLP) guidelines
- Selectable digital filtering helps minimise effects of vibration and disturbances
- Auto-zeroing ensures the screen returns to zero
- Freely selectable sample sizes

### General Specifications

- Weighing units: kg, lb
- Interface: RS-232, Optional USB
- Power supply: Mains power cord, Internal rechargeable battery
- Battery life (up to): 120 hours
- Display: Backlit LCD with 20mm-high digits
- Calibration: External
- Housing: ABS Plastic indicator with mild steel base
- Operating temperature: -10° to 40°C



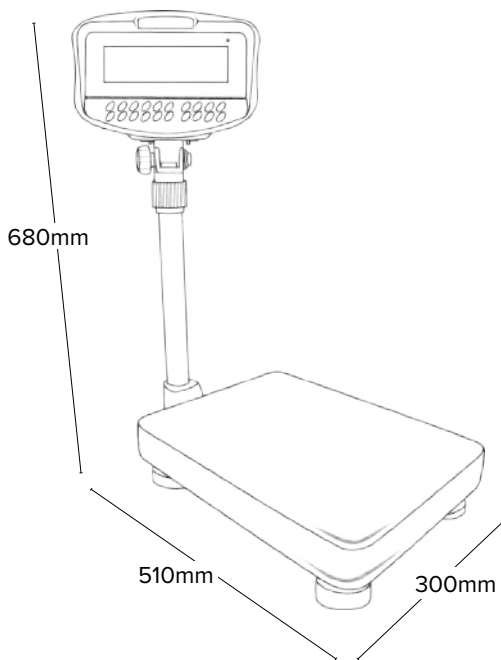
CLICK TO FIND ONLINE



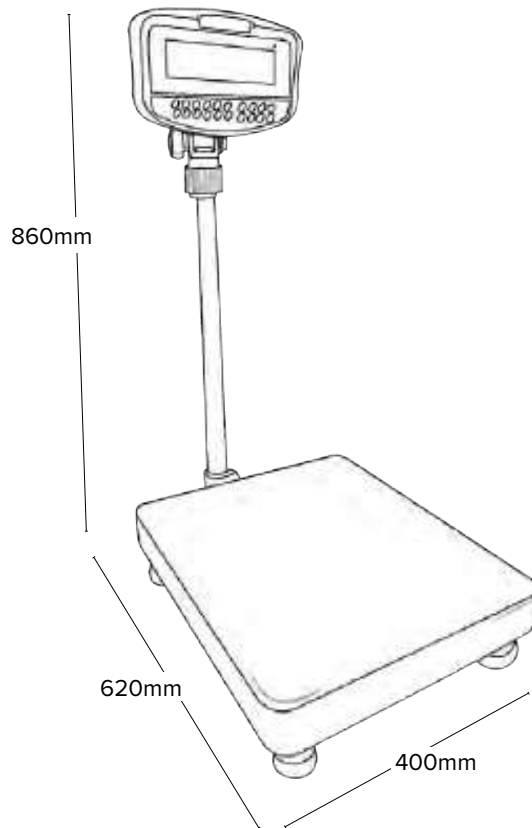
\*USB optional



ATP2 Thermal Printer  
See pg. 84



**GBC Bench Scale**



**GFC Floor Scale**

Model	Capacity	Readability	Pan Size	Net Weight
<b>GBC 16</b>	16kg	0.5g	400x300mm	7.6kg
<b>GBC 32</b>	32kg	1g	400x300mm	7.6kg
<b>GBC 60</b>	60kg	2g	400x300mm	7.6kg
<b>GFC 75</b>	75kg	5g	500x400mm	12.5kg
<b>GFC 150</b>	150kg	10g	500x400mm	12.5kg
<b>GFC 300</b>	300kg	20g	500x400mm	12.5kg

**DID YOU KNOW?**



The full numeric keypad on the GBC/GFC indicators allows sample weights, if already known, to be entered by hand. It also allows counting limits to be entered, if using the check counting function.

BCT scales offer excellent value for bulk industrial counting tasks. A built-in printer outputs labels that feature weight, parts counts, QR codes, barcodes and more. Store up to 1006 PLUs or piece weights to expedite inventory and batching jobs.

### Applications

Weighing | Parts counting |  
Check counting | Averaging |  
Barcode/Label printing



**BCT Floor Scale**



**BCT Bench Scale**



**BCT without Pillar**



Built-in printer – print count data, QR codes, barcodes and more



Grade 304 stainless steel pan stands up to industrial use



Internal counting resolution of 1:600,000 for precise results

### Features

- Backlit LCD shows weight, unit weight and count in one location
- RS-232 interface provides speedy connection to computers and printers
- Splash-proof housing, keypad and display are easy to clean
- Rechargeable battery included for operation almost anywhere
- Audible overload alarm warns when capacity is exceeded
- User can programme alarm to sound when preset total is reached
- Parts counting with freely selectable sample sizes
- Parts counting optimisation automatically refines piece weight as parts are added
- Printouts include date and time for data tracking within Good Laboratory Practices (GLP) guidelines
- Selectable digital filtering helps minimise effects of vibration and disturbances

### General Specifications

- Weighing units: g, kg, lb, oz
- Interface: RS-232
- Power supply: 12VDC 3A adapter, 10Ah Internal rechargeable battery
- Battery life (up to): 110 hours
- Display: Backlit LCD with 22mm-high digits (15mm Unit weight and Count)
- Calibration: External
- Housing: ABS Plastic indicator with mild steel base
- Standard label size (WxH): 50x30mm (labels up to 60mm height can be used)
- Operating temperature: -10° to 40°C

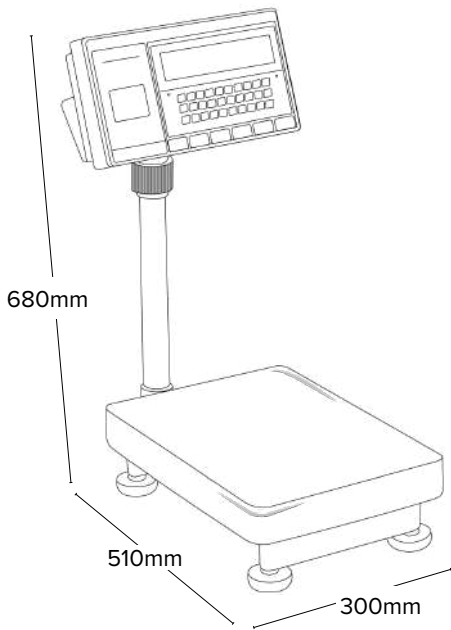


Labels  
See pg. 81

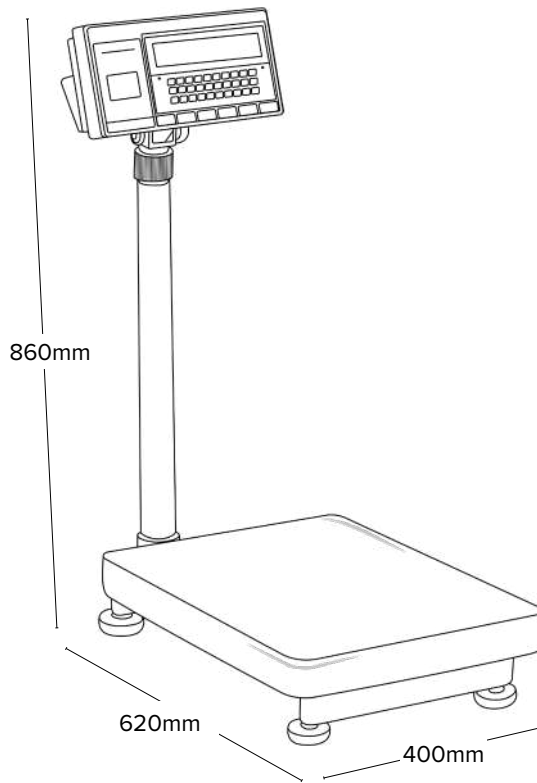


CLICK TO FIND ONLINE





**BCT Bench Scale**



**BCT Floor Scale**

Model	Capacity	Readability	Pan Size	Net Weight
<b>BCT 16</b>	16kg	0.5g	400x300mm	8.5kg
<b>BCT 32</b>	30kg	1g	400x300mm	8.5kg
<b>BCT 60</b>	60kg	2g	400x300mm	8.5kg
<b>BCT 75</b>	75kg	5g	500x400mm	13.5kg
<b>BCT 150</b>	150kg	10g	500x400mm	13.5kg
<b>BCT 300</b>	300kg	20g	500x400mm	13.5kg



ABW-S

Adam Equipment offers a broad selection of durable, IP-rated washdown scales for all types of weighing tasks. All washdown scales can be thoroughly hosed down or washed with a pressure washer, as they incorporate stainless steel parts and watertight seals.

Ideal for use in many industries, Adam washdown scales are well-suited for weighing food and

beverages, powders, chemicals, pharmaceuticals, or for any application needing a sealed scale for wet or dusty environments. This allows for removal of any residual particles after weighing, which minimises the possibility of cross-contamination, removes dirt build-up and helps eliminate the growth of bacteria, mould or other toxins.

## Model Quick Finder

	ABW	ABW-S	Gladiator
IP67 rated	•		
IP68 rated		•	•
Sealed keypad	•	•	•
Stainless steel weighing pan	•	•	•
Checkweighing function	•	•	•
RS-232 interface			•
Front and rear displays	•	•	
Trade approved models available			•



ABW 32 with Large Pan

Designed for applications needing frequent washdown, Aqua ABW scales come in a selection of capacities and readabilities. ABW offers an IP67 rating and features a stainless steel pan to withstand demanding industrial and food processing environments.

**Applications**  
 Weighing | Percentage weighing |  
 Checkweighing | Parts counting



Checkweighing function indicator appears in three bright LED colours



Solid IP67-rated ABS housing is durable enough for industrial use



Front and rear LED displays allow for dual use

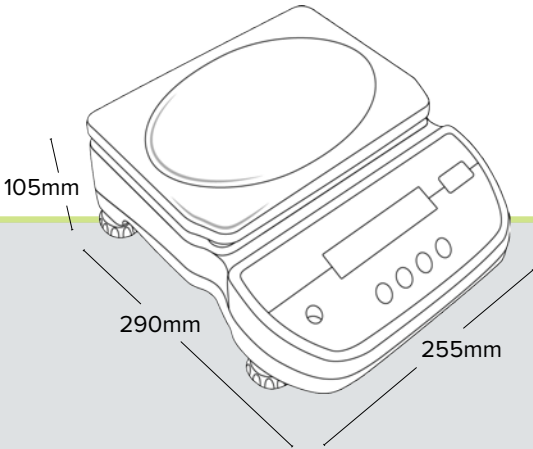
**Features**

- IP67-rated housing with sealed keypad protects against water and dust
- Overload protection helps prevent damage to internal components
- Bright LED display for easy viewing in most environments
- Rechargeable battery included for operation almost anywhere
- Clear, hidden-until-needed function indicators keep focus where it's needed
- Stabilisation time of under one second

**General Specifications**

- Weighing units: kg, g, lb, oz, lb:oz
- Power supply: 12VDC 800mA adapter, Internal rechargeable battery
- Battery life (up to): 80 hours
- Display: 2x LED displays with 20mm front and 15mm rear digits
- Calibration: External
- Housing: ABS Plastic
- Operating temperature: 0° to 40°C

Model	Capacity	Readability	Pan Size	Net Weight
ABW 4	4kg	0.5g	245x180mm	2.5kg
ABW 8	8kg	1g	245x180mm	2.5kg
ABW 16	16kg	2g	245x180mm	2.5kg
ABW 32	32kg	5g	300x210mm	2.5kg



CLICK TO FIND ONLINE



**ABW 32S with Large Pan**

IP68-certified waterproof protection and tough, grade 304 stainless steel housing make the Aqua ABW-S an essential tool for weighing in washdown environments. Weighing as precise as to 0.1g means dependable results for many applications.

### Applications

Weighing | Percentage weighing |  
Checkweighing | Parts counting



'Hidden until lit' checkweighing lights show if weight is above, below or within limits



IP68, grade 304 stainless steel housing protects scale in washdown areas



Bright LED display for easy viewing in most environments

### Features

- IP68-rated waterproof housing with sealed keypad protects against water and dust
- Rechargeable battery included for operation almost anywhere
- Internal counting resolution 1:600,000 for precise results
- Parts counting optimisation automatically refines piece weight as parts are added
- Overload protection helps prevent damage to internal components
- Front and rear LED displays allow for dual use
- Clear, hidden-until-needed function indicators keep focus where it's needed

### General Specifications

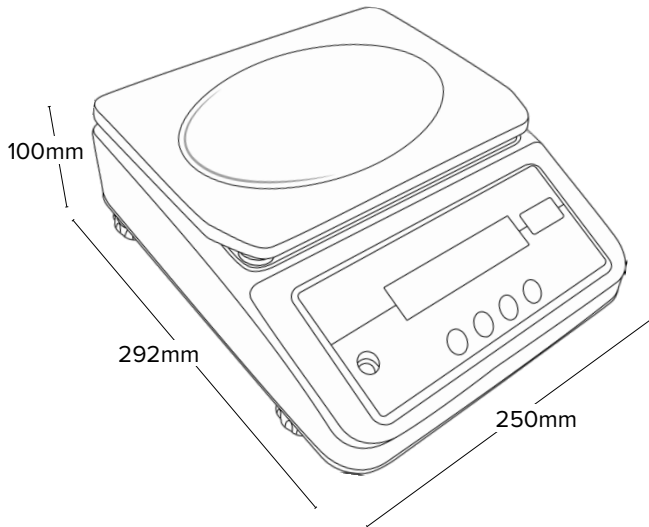
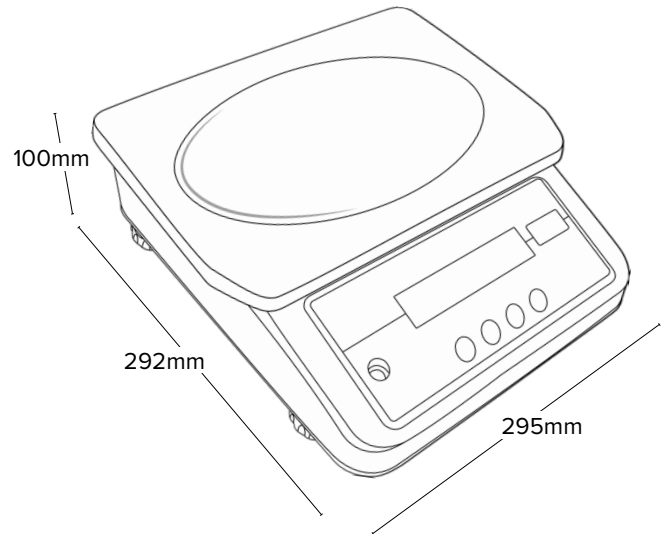
- Weighing units: kg, g, lb, oz, lb:oz
- Power supply: 12VDC 800mA adapter, Internal rechargeable battery
- Battery life (up to): 80 hours
- Display: 2x LED displays with 20mm front and 15mm rear digits
- Calibration: External
- Housing: Stainless Steel
- Operating temperature: 0° to 40°C



CLICK TO FIND ONLINE



Large & Small Scoops  
See pg. 85


**ABW-S Standard Pan**

**ABW32S with Larger Pan**

Model	Capacity	Readability	Pan Size	Net Weight
<b>ABW 4S</b>	4kg	0.1g	245x180mm	2.5kg
<b>ABW 8S</b>	8kg	0.5g	245x180mm	2.5kg
<b>ABW 16S</b>	16kg	1g	245x180mm	2.5kg
<b>ABW 32S</b>	32kg	2g	300x210mm	2.5kg


***DID YOU KNOW?***

IP ratings are a grading system used to determine the level of protection from water, dust or dirt. IP ratings are assigned in accordance with British standard BS EN 60529:1992. IP68-certified scales, such as the ABW-S, are waterproof.

Gladiator scales achieve washdown weighing tasks in demanding food, pharmaceutical and industrial settings. Boasting an IP68 waterproof rating, the Gladiator features easy-to-clean stainless steel construction and a sealed indicator that is protected in dusty or wet environments.

### Applications

Weighing | Percentage weighing | Checkweighing | Parts counting | Check counting | Dynamic/Animal weighing | Display hold



Water-resistant, encapsulated silicone-coated loadcell



Backlit display changes colour for quick notification of checkweighing limits



IP68-rated for protection against water and dust

### Features

- Large, grade 304 stainless steel pan allows for easy cleaning
- Rugged stainless steel construction for ultimate durability
- Sealed keypad protects against dirt and spills
- RS-232 interface provides speedy connection to computers and printers
- Rechargeable battery included for operation almost anywhere
- Hold function freezes the displayed weight
- Parts counting with preset sample sizes
- Preset tare function speeds the process of repetitive weighing
- Selectable digital filtering for dynamic / animal weighing enables consistent results for moving subjects

### General Specifications

- Weighing units: g, kg, lb, lb:oz, oz, N, custom unit\*
- Interface: RS-232
- Power supply: Fixed mains power cord, Internal rechargeable battery
- Battery life (up to): 120 hours
- Display: Backlit LCD with 40mm-high digits
- Calibration: External
- Housing: Stainless steel
- Operating temperature: -10° to 40°C

\*N, lb, oz, and lb:oz are not legal for trade weighing units

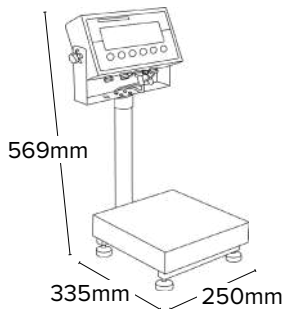


Relay Box  
See pg. 82

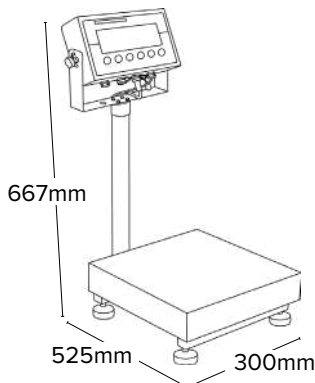


CLICK TO FIND ONLINE

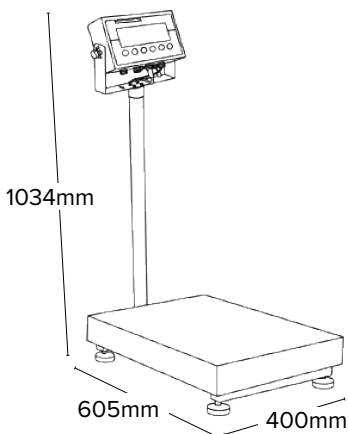




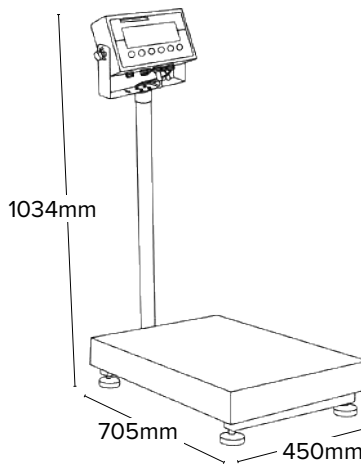
**GGS Small Platform**



**GGB Bench Scale**



**GGF Floor Scale**



**GGL Large Platform**

Model	Capacity	Readability	Pan Size	Net Weight
<b>GGS 8</b>	8kg	0.2g	250x250mm	6.8kg
<b>GGS 16</b>	16kg	0.5g	250x250mm	6.8kg
<b>GGS 35</b>	35kg	1g	250x250mm	6.8kg
<b>GGB 35</b>	35kg	1g	400x300mm	10.4kg
<b>GGB 75</b>	75kg	2g	400x300mm	10.4kg
<b>GGF 75</b>	75kg	2g	500x400mm	13kg
<b>GGF 75H</b>	75kg	1g	500x400mm	13kg
<b>GGF 150</b>	150kg	5g	500x400mm	13kg
<b>GGL 150</b>	150kg	5g	600x450mm	21kg
<b>GGL 300</b>	300kg	10g	600x450mm	21kg

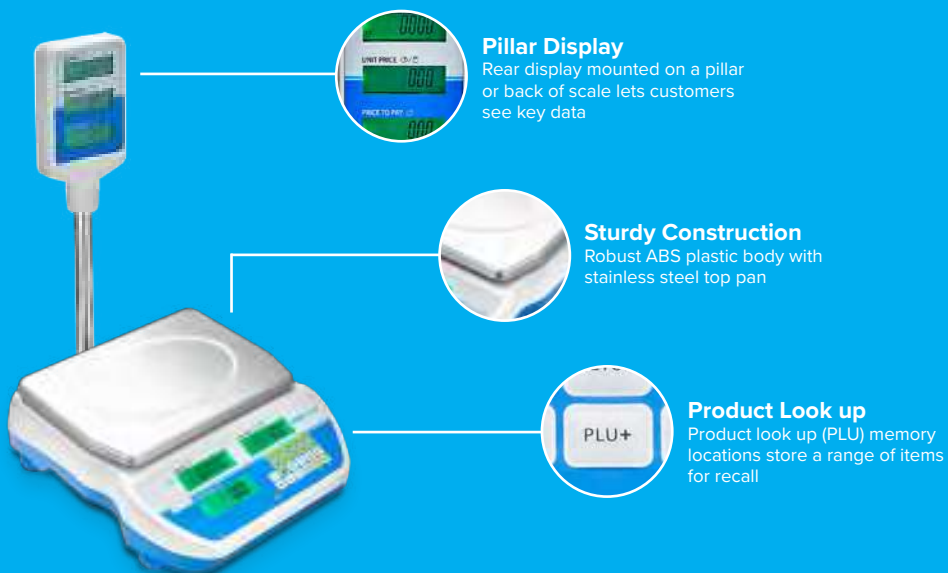
**Trade Approved Models **

Model	Capacity	Readability	Pan Size	Net Weight
<b>GGS 6M</b>	6kg	2g	250x250mm	8kg
<b>GGS 15M</b>	15kg	5g	250x250mm	8kg
<b>GGS 30M</b>	30kg	10g	250x250mm	8kg
<b>GGB 30M</b>	30kg	10g	400x300mm	11kg
<b>GGB 60M</b>	60kg	20g	400x300mm	11kg
<b>GGF 60M</b>	60kg	20g	500x400mm	21kg
<b>GGF 150M</b>	150kg	50g	600x450mm	21kg
<b>GGL 150M</b>	150kg	50g	600x450mm	21kg



Adam Equipment's retail scales are easy to operate, facilitating smooth and efficient transactions for users and customers. With large backlit displays that show weight, price per unit, and total cost, the scales speed the entire process by simultaneously showing information to customer and operator. Easy to maintain, our retail scales offer stainless steel pans that withstand frequent cleaning required in tasks such as weighing meat and cheese at a deli or measuring frozen yogurt at a shop.

Ideal for farmers' markets or roadside produce stands, they operate with AC adaptor or battery, so they can operate where electricity isn't available. Rubber feet offer stability on desks, tables, counter-tops or unsteady surfaces, resulting in consistent, accurate readings. RS-232 interface is available on the scales, allowing information to be transmitted to a printer or computer.



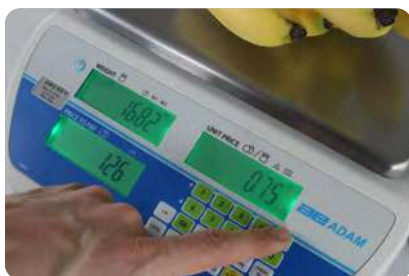


SWZ with Pillar

Swift offers a straightforward weighing and price-computing solution for retail operations selling products by weight. Robust ABS plastic construction and stainless steel top pan make this a retail scale well-suited to smaller businesses including farm shops, market stalls and pop-up shops.

### Applications

Weighing | Price computing



Product look up (PLU) memory stores 160 item prices for recall



Rear display mounted on a pillar or back of the scale



Rechargeable battery-powered for operation almost anywhere

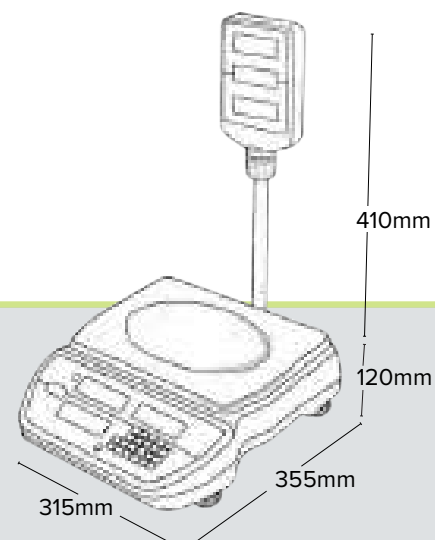
### Features

- Backlit LCD shows weight, unit price and total price
- RS-232 interface provides speedy connection to computers and printers
- Optional USB interface simplifies data communication
- Overload protection helps prevent damage to internal components
- Drip channels help divert spills away from internal components
- Zero-tracking feature ensures display returns to zero reading
- Available in multiple currencies

### General Specifications

- Weighing units: kg, lb
- Interface: RS-232, Optional USB
- Power Supply: 12VDC 800mA adapter, Internal rechargeable battery
- Battery life (up to): 120 hours
- Display: Backlit LCD with 15mm high digits
- Calibration: External
- Housing: ABS plastic
- Operating Temperature: -10° to 40°C

Model	Capacity	Readability	Pan Size	Net Weight
SWZ 3D	1.5kg / 3kg	0.0005kg / 0.001kg	300x210mm	3.3kg
SWZ 6D	3kg / 6kg	0.001kg / 0.002kg	300x210mm	3.3kg
SWZ 15D	6kg / 15kg	0.002kg / 0.005kg	300x210mm	3.3kg
SWZ 30D	15kg / 30kg	0.005kg / 0.010kg	300x210mm	3.3kg
SWZ 3DP	1.5kg / 3kg	0.0005kg / 0.001kg	300x210mm	3.3kg
SWZ 6DP	3kg / 6kg	0.001kg / 0.002kg	300x210mm	3.3kg
SWZ 15DP	6kg / 15kg	0.002kg / 0.005kg	300x210mm	3.3kg
SWZ 30DP	15kg / 30kg	0.005kg / 0.010kg	300x210mm	3.3kg



CLICK TO FIND ONLINE





PTSplus

Adam Equipment offers a range of heavy duty and robust platform scales designed with features suited to demanding weighing environments such as factories, shipping and receiving departments, warehouses and loading docks. These industrial platform scales are ideal for weighing bulky and large items such as boxes, shipping crates, pallets, heavy luggage and other oversized items.

Adam's industrial platform scales are simple and easy to use yet versatile in application. While they are often used to weigh heavy items because of their high capacities, they can also be connected

to weighing indicators for additional performance capabilities such as checkweighing, percentage weighing and counting.

A platform weighing scale can also be connected to Adam's label printers, which are ideal for helping keep track of stock and for business inventory management purposes. Some heavy-duty platform scales can also be connected to ramps and rollerdecks to make loading and unloading easier.

### Model Quick Finder

	AELP	PTSplus	PTT	SHS,LHS & IHS	PT	PTM	GB & GF	W Series
Stainless steel pan							•	•
Seperate indicator	•				•	•	•	•
Suitable for pallet weighing	•	•	•		•			
Handles and/or wheels for portability	•	•	•			•		
Rechargeable battery		•	•	•				
Mild-steel base	•	•	•		•	•	•	
IP68 rated								•
Zero-tracking feature		•	•	•				



AELP beams are a portable, durable weighing solution that can be adjusted according to the size of the object being weighed, including containers, platforms and cages. Choose the indicator option that best fits your needs!

COMPATIBLE WITH



Find on pg.67

**AE 403 Waterproof Indicator**



Find on pg.68

**AE 503 & AE 504 Label Printing Indicators**



Find on pg.69

**GC Counting Indicator**



Find on pg.70-71

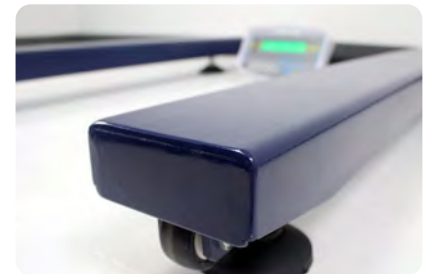
**GK-S/GK-Plus/GK-PlusM Checkweighing Indicators**



Low profile beams for easy loading with a pallet truck



Integrated handles and wheels for added portability



Heavy duty construction for industrial use

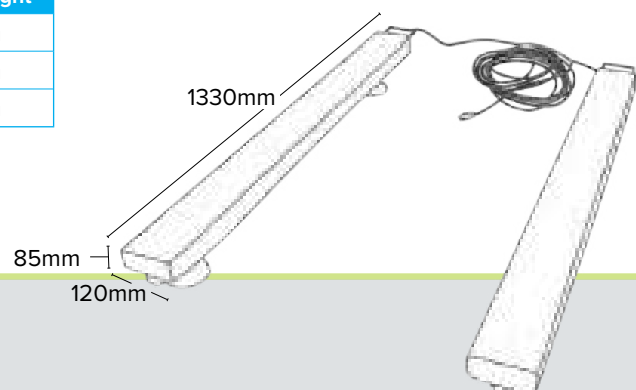
### Features

- Approximately 5-metre shielded cable
- Can be stored away easily when not in use
- Can be used with any Adam indicator
- Two beams per set

### General Specifications

- Housing: Mild steel base
- Operating temperature: -10° to 40°C

Model	Capacity	Readability	Beam Size (x2)	Net Weight
<b>AELP 1000</b>	1000kg	0.2kg	1330x120mm	34kg
<b>AELP 2000</b>	2000kg	0.5kg	1330x120mm	34kg
<b>AELP 3000</b>	3000kg	1kg	1330x120mm	34kg



CLICK TO FIND ONLINE



\*All features listed here are indicator-dependent

The PTSplus pallet truck scale offers an easy way to manage, move and weigh heavy loads. Heavy-duty reinforced steel pallet forks are generously sized and provide durable lifting capabilities. A zero-radius pivoting handle offers exceptional maneuverability in tight spots.

KEY ACCESSORIES



Calibration Certificate



## Applications

Weighing | Parts counting | Percentage weighing | Checkweighing | Dynamic/Animal weighing



Stainless steel, IP68 waterproof indicator with large, clear LCD display



Rugged, heavy duty construction for daily industrial weighing



Backlit display changes colour for easy checkweighing

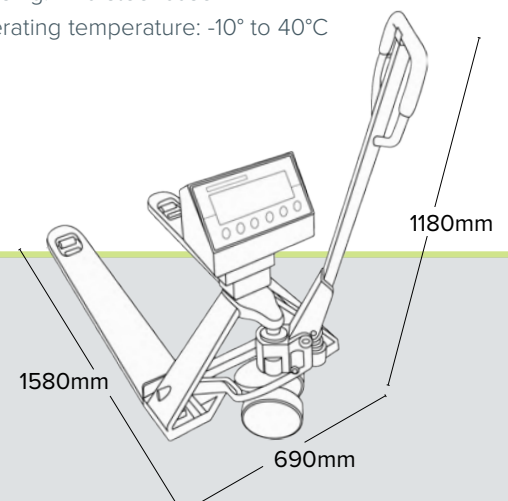
## Features

- Capacity tracker built into display for easily monitoring possible overloads
- Splash-proof housing, keypad and display are easy to clean
- Rechargeable battery included for operation almost anywhere
- Audible overload alarm warns when capacity is exceeded
- Checkweighing with audible alarm
- Parts counting with preset sample sizes
- Zero-tracking feature ensures display returns to zero reading

## General Specifications

- Weighing units: kg, lb, lb:oz, oz, N
- Interface: RS-232
- Power supply: Internal rechargeable battery; Fixed mains power cord
- Battery life (up to): 120 hours
- Display: Backlit LCD with 40mm-high digits
- Calibration: External
- Housing: Mild steel base
- Operating temperature: -10° to 40°C

Model	Capacity	Readability	Fork Size (x2)	Net Weight
PTSplus 2000	2000kg	0.5kg	1200x160mm	125kg



CLICK TO FIND ONLINE



The PTT's large display features a built-in printer that can print barcodes, QR codes, pictures and custom logos on 50mm-wide labels. The backlight is programmable and the keys are colour-coded for quick recognition.

KEY ACCESSORIES



Labels



Calibration Certificate



### Applications

Weighing | Parts counting | Percentage weighing | Checkweighing | Accumulation | Display hold | Peak hold | Dynamic/Animal weighing | Barcode/Label printing



Built-in printer – print count data, QR codes, barcodes and more



Rugged, heavy duty construction for daily industrial weighing



Suitable for use with most pallet types and sizes

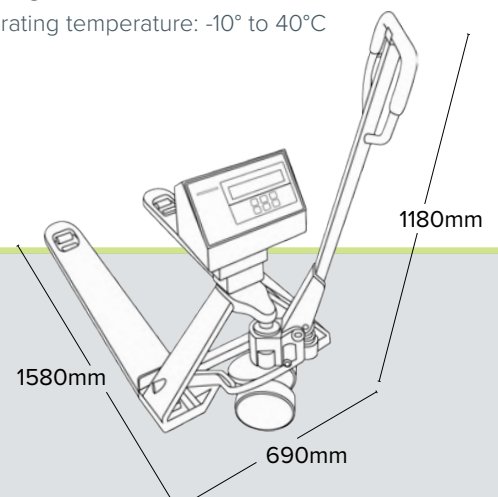
### Features

- Capacity tracker built into display for easily monitoring possible overloads
- Sealed keypad protects against dirt and spills
- Rechargeable battery included for operation almost anywhere
- Checkweighing with audible alarm
- Multilingual display allows use in many different countries
- Selectable digital filtering for dynamic / animal weighing enables consistent results for moving subjects

### General Specifications

- Weighing units: kg, lb, oz
- Interface: RS-232
- Power supply: Internal rechargeable battery; 12VDC 3A adapter
- Battery life (up to): 110 hours
- Display: Backlit LCD with 34mm-high digits
- Calibration: External
- Housing: Mild steel base
- Operating temperature: -10° to 40°C

Model	Capacity	Readability	Fork Size (x2)	Net Weight
PTT 2000	2000kg	0.5kg	1200x160mm	125kg



CLICK TO FIND ONLINE



With a large rotating plated steel hook and shackle with safety catch, suspended loads can be safely weighed with strength and flexibility. LHS and IHS crane scales feature die cast aluminium housing. A standard remote control allows scale operation from a safe distance.



### Applications

Weighing



Rugged construction stands up to industrial use



Rotating hook allows easy access while loading, then safely locks in place during weighing



Remote control allows safe, hands-free operation

### Features

- Bright LED display for easy viewing in most environments
- IHS's solid metal housing resists spills and protects internal components
- Rechargeable battery included for operation almost anywhere
- Hold function freezes the displayed weight, allowing time to elapse without losing the result
- Zero-tracking feature ensures display returns to zero reading

### General Specifications

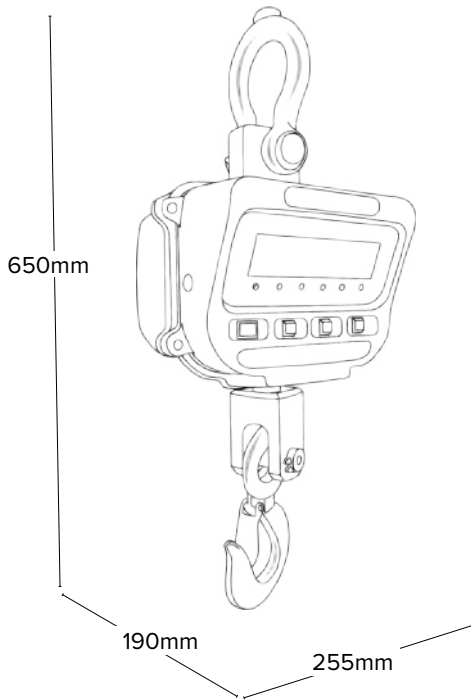
- Weighing units: kg, lb
- Power supply: Internal rechargeable battery;
  - SHS: 8.4VDC 800mA adapter, 4 x AA batteries
  - LHS: 6VDC 600mA adapter
  - IHS: 7.2VDC 2A adapter
- Battery life (up to); LHS: 80 hours, IHS: 110 hours
- Display:
  - SHS: LED with 15mm-high digits
  - LHS: LED with 25mm-high digits
  - IHS: LED with 30mm-high digits
- Calibration: External
- Housing:
  - SHS: Polycarbonate
  - LHS / IHS: Die-cast aluminium
- Operating temperature: 0° to 40°C



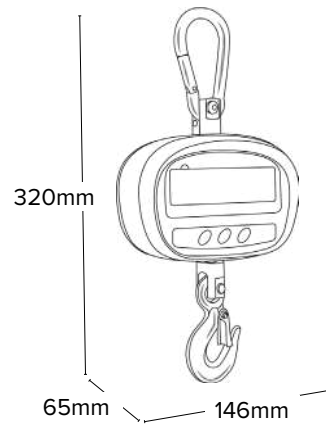
CLICK TO FIND ONLINE



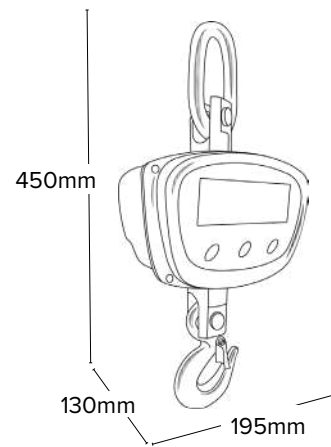
Remote included (2 x AAA batteries)



**IHS Crane Scale**

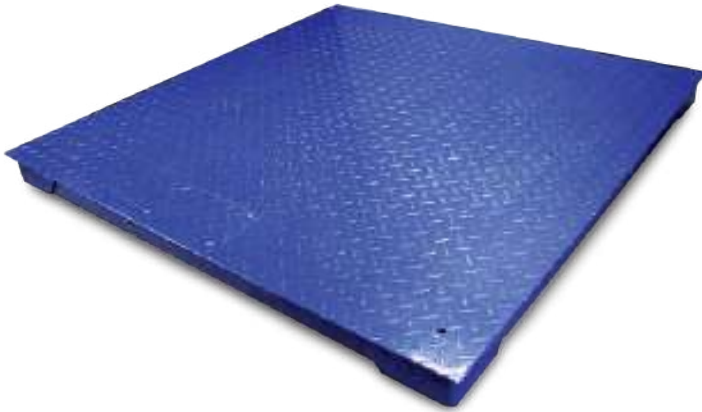


**SHS Crane Scale**



**LHS Crane Scale**

Model	Capacity	Readability	Net Weight
<b>SHS 50</b>	50kg	0.01kg	1.2kg
<b>SHS 150</b>	150kg	0.02kg	1.2kg
<b>SHS 300</b>	300kg	0.05kg	1.2kg
<b>LHS 500</b>	500kg	0.1kg	4.8kg
<b>LHS 1500</b>	1500kg	0.2kg	4.8kg
<b>LHS 2000</b>	2000kg	0.5kg	4.8kg
<b>IHS 1</b>	1000kg	0.2kg	12kg
<b>IHS 3</b>	3000kg	0.5kg	14kg
<b>IHS 5</b>	5000kg	1kg	19kg
<b>IHS 10</b>	10000kg	2kg	31kg



The PT platform scale is designed to weigh pallets, crates and large containers on warehouse and factory floors. PT platforms are compatible with several Adam indicators that can be used for checkweighing, parts counting and dynamic animal weighing.

COMPATIBLE WITH



Find on pg.67

**AE 403 Waterproof Indicator**



Find on pg.68

**AE 503 & AE 504 Label Printing Indicators**



Find on pg.69

**GC Counting Indicator**



Find on pg.70-71

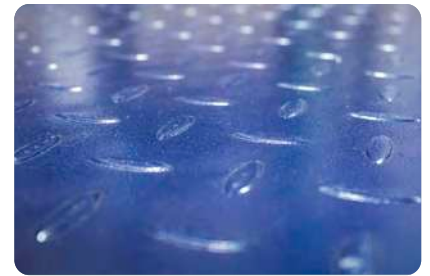
**GK-S/GK-Plus/GK-PlusM Checkweighing Indicators**



Reinforced construction suitable for demanding industrial use



Attachable eye hooks for easy transportation



Tough, checkered plate surface for added grip

## Features

- Rugged construction stands up to industrial use
- Optional ramps facilitate loading and unloading
- Can be used with any Adam indicators
- Approximately 5-metre shielded cable

## General Specifications

- Weighing units: kg, lb, lb:oz, oz, N\*
- Housing: Mild steel base
- Operating temperature: -10° to 40°C

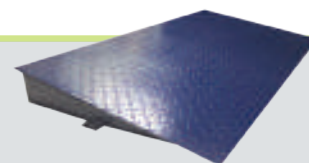
\*Not all weighing units available on all indicator setups



CLICK TO FIND ONLINE



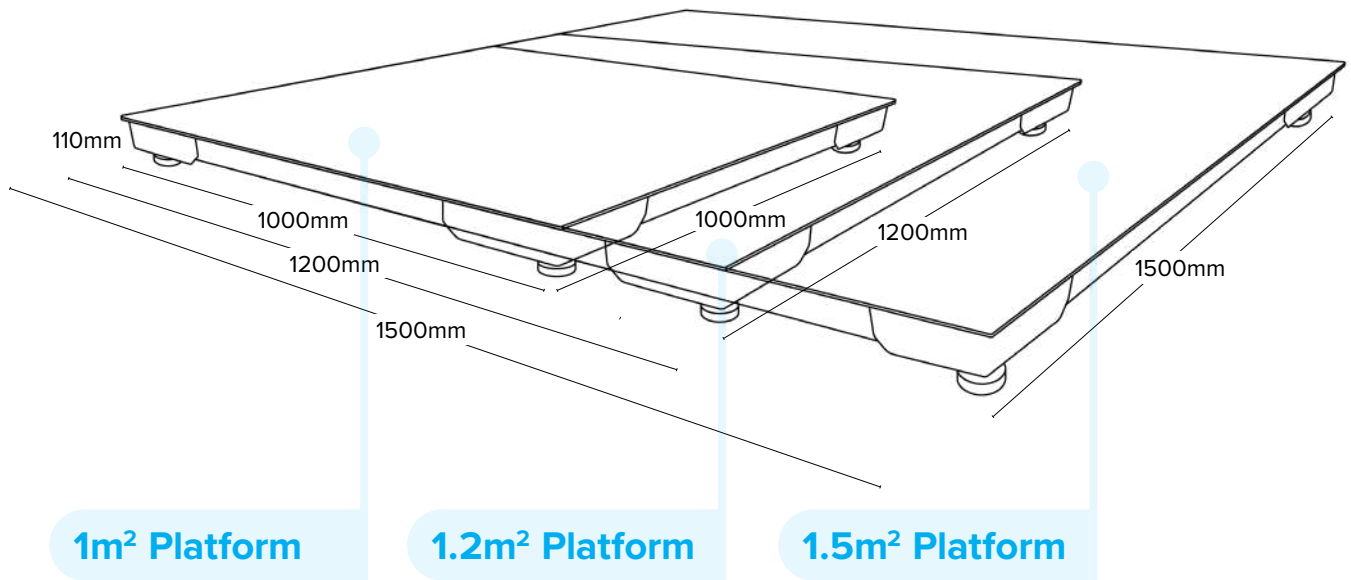
\*All features listed here are indicator-dependent



Mild Steel Ramp  
See pg. 82



Indicator Stand  
See pg. 82



Model	Capacity	Readability	Pan Size	Net Weight
<b>PT 110</b>	1000kg	0.2kg	1000x1000mm	62kg
<b>PT 310</b>	3000kg	0.5kg	1000x1000mm	62kg
<b>PT 112</b>	1000kg	0.2kg	1200x1200mm	79kg
<b>PT 312</b>	3000kg	0.5kg	1200x1200mm	79kg
<b>PT 115</b>	1000kg	0.2kg	1500x1500mm	111kg
<b>PT 315</b>	3000kg	0.5kg	1500x1500mm	111kg

## PT Platforms with Indicators

Model	Capacity	Readability	Pan Size	Net Weight
<b>PT 110</b>	1000kg	0.2kg	1000x1000mm	64kg
<b>PT 310</b>	3000kg	0.5kg	1000x1000mm	64kg
<b>PT 112</b>	1000kg	0.2kg	1200x1200mm	81kg
<b>PT 312</b>	3000kg	0.5kg	1200x1200mm	81kg
<b>PT 115</b>	1000kg	0.2kg	1500x1500mm	113kg
<b>PT 315</b>	3000kg	0.5kg	1500x1500mm	113kg



The PTM low-profile platform is ideal for weighing wheelchairs, barrels and oversized containers. Ramps on both sides offer smooth transitions between the floor and the weighing platform, while handles and wheels allow easy mobility.

COMPATIBLE WITH



Find on pg.67

**AE 403 Waterproof Indicator**



Find on pg.68

**AE 503 & AE 504 Label Printing Indicators**



Find on pg.69

**GC Counting Indicator**



Find on pg.70-71

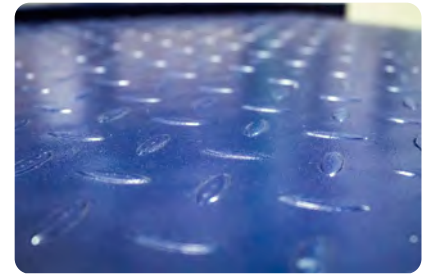
**GK-S/GK-Plus/GK-PlusM Checkweighing Indicators**



Integrated handles and wheels for transportation



Built-in ramps on either side make access easier



Tough, chequer plate surface for added grip

### Features

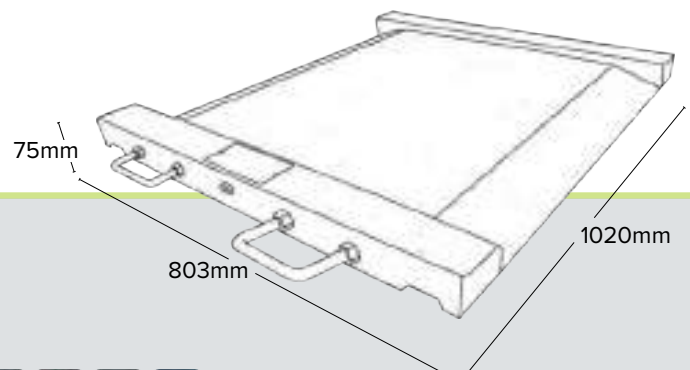
- Heavy-duty rubber feet ensure stability of unit
- Adjustable levelling feet help optimise setup
- Approximately 3-metre load cell cable
- Rugged construction stands up to industrial use

### General Specifications

- Weighing units: kg, lb, lb:oz, oz, N\*
- Housing: Mild steel base
- Operating temperature: -10° to 40°C

\*Not all weighing units available on all indicator setups

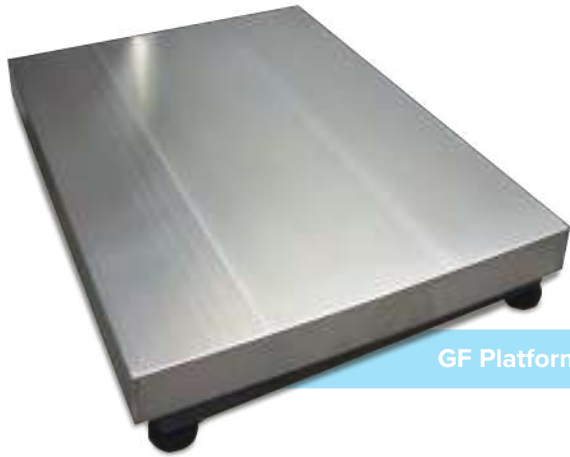
Model	Capacity	Readability	Pan Size	Net Weight
<b>PTM 500</b>	500kg	0.1kg	760x580mm	35.5kg



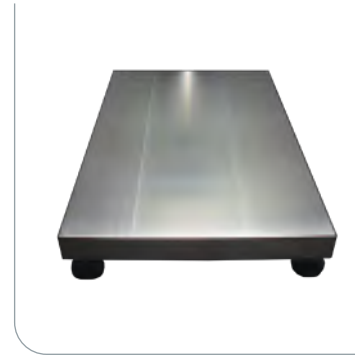
CLICK TO FIND ONLINE



\*All features listed here are indicator-dependent



GF Platform

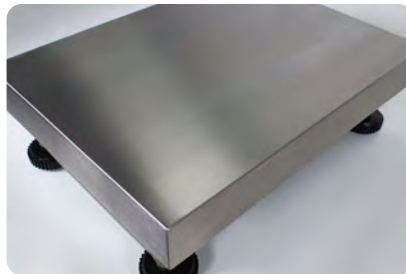


GB Platform

Featuring a removable stainless steel pan, GB platform scales offer a durable solution for industrial applications such as weighing, parts counting, percentage weighing and comparative weighing.



Rugged build quality stands up to industrial use



Durable stainless steel pan; overload protection



Can also be used as a second platform for Cruiser CDT (see page 39)

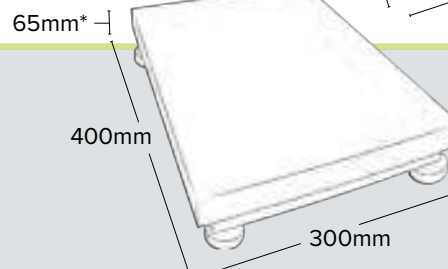
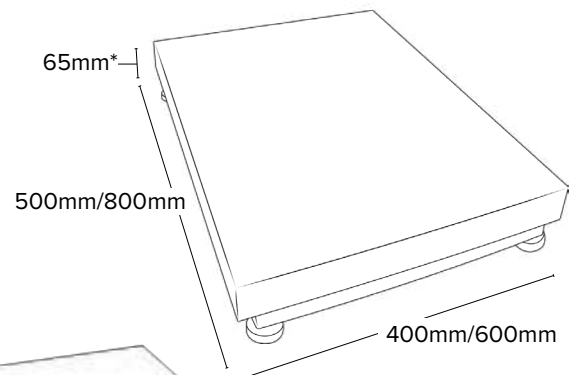
### Features

- Can be used with any Adam indicator
- Overload protection helps prevent damage
- Large, grade 304 stainless steel pan allows for easy cleaning

### General Specifications

- Calibration: External
- Housing: Mild steel base
- Operating temperature: -10° to 40°C

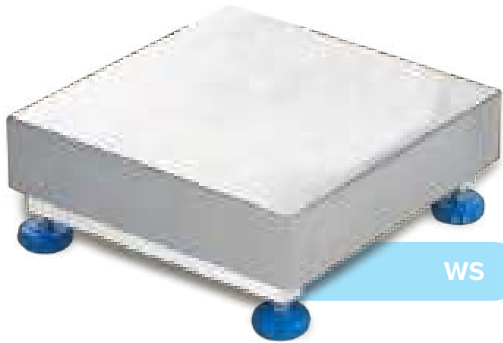
Model	Capacity	Readability	Pan Size	Net Weight
<b>GB 8</b>	8kg	0.1g	400x300mm	8kg
<b>GB 16</b>	16kg	0.2g	400x300mm	8kg
<b>GB 32</b>	32kg	1g	400x300mm	8kg
<b>GB 60</b>	60kg	2g	400x300mm	8kg
<b>GB 120</b>	120kg	5g	400x300mm	8kg
<b>GF 75</b>	75kg	5g	500x400mm	10kg
<b>GF 150</b>	150kg	10g	500x400mm	10kg
<b>GF 300</b>	300kg	20g	500x400mm	10kg
<b>GF 600</b>	600kg	50g	800x600mm	23kg



CLICK TO FIND ONLINE



\*Minimum height with feet wound up



WB

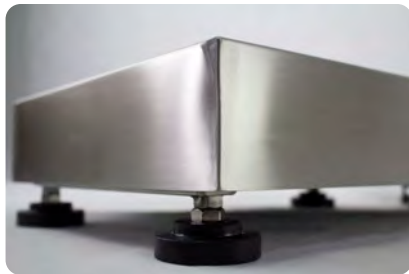


WF



WL

The W series of washdown platform scales stands up to demanding industrial environments with its rugged stainless steel construction. Pair these IP68-rated bases with the IP68-rated AE403 indicator for an unbeatable combination.



Rugged stainless steel construction for ultimate durability



IP68-rated for protection against water and dust



Can also be used as a second platform with CDT (see page 39)

## Features

- Large, grade 304 stainless steel pan allows for easy cleaning
- IP68-rated for protection against water and dust
- Overload protection helps prevent damage to internal components

## General Specifications

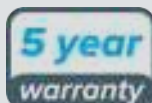
- Housing: Stainless steel
- Operating temperature: -10° to 40°C

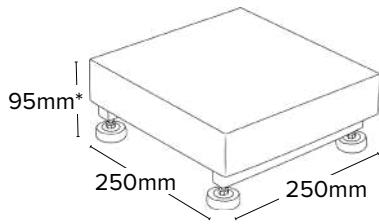
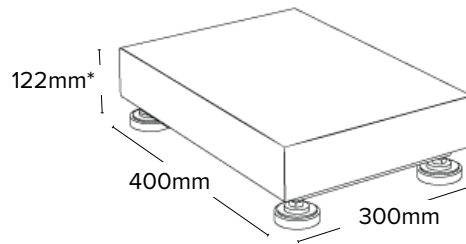
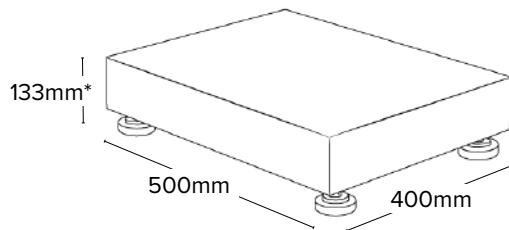
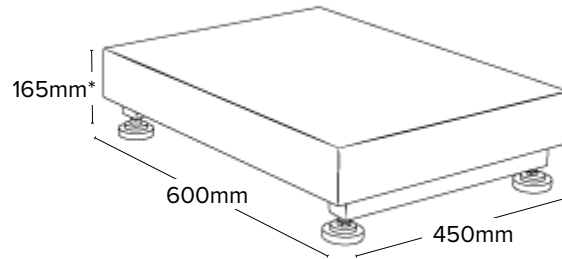


AE 403 Indicator  
See pg. 67



CLICK TO FIND ONLINE




**WS 8, 16 & 32 Models**

**WB 35 & WB 75 Models**

**WF 75 & WF 150 Models**

**WL 150 & WL 300 Models**

Model	Capacity	Readability	Pan Size	Net Weight
<b>WS 8</b>	8kg	0.5g	250x250mm	4kg
<b>WS 16</b>	16kg	1g	250x250mm	4kg
<b>WS 32</b>	32kg	2g	250x250mm	4kg
<b>WB 35</b>	35kg	2g	400x300mm	7.7kg
<b>WB 75</b>	75kg	5g	400x300mm	7.7kg
<b>WF 75</b>	75kg	5g	500x400mm	10.5kg
<b>WF 150</b>	150kg	10g	500x400mm	10.5kg
<b>WL 150</b>	150kg	10g	600x450mm	16.8kg
<b>WL 300</b>	300kg	20g	600x450mm	16.8kg

\*Minimum height with feet wound up

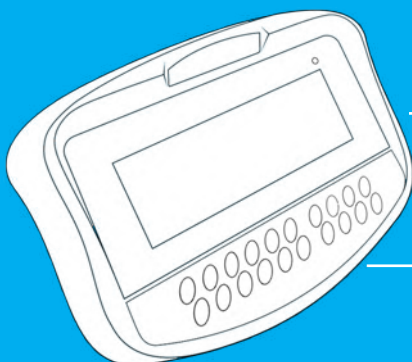


GK-Plus

Flexible and affordable, Adam Equipment's weighing scale indicators are well-suited for use in warehouses, production lines, shipping and receiving departments, and during packaging, processing and inventory control jobs. From basic models to IP68-rated washdown versions, Adam's indicators deliver the durability and versatility needed to perform weighing and counting tasks.

Adam indicators can be configured with a number of platforms, allowing users to combine the features, functions, readability and capacity to suit their needs. Adam indicators provide a wide range of features, including large displays, numeric keypads and coloured LEDs to simplify weighing, checkweighing and counting tasks.

### GC Indicator pg. 69



#### Wall-mount Bracket

Bracket for placing indicator on vertical surfaces



#### Backlit LCD

Backlit LCD shows weight, unit weight and count in one convenient location



#### Rechargeable Battery

Rechargeable battery included for operation almost anywhere



KEY ACCESSORIES



Indicator Stand

A rugged stainless steel design and IP68 rating make AE 403 the right choice for a variety of industrial applications. The backlit display shows results in 40mm-high digits and changes colour when the weight is over, under or within limits.

## Applications

Parts counting | Percentage weighing | Display hold | Checkweighing | Accumulation | Peak hold | Net/Gross | Dynamic/Animal weighing



IP68 waterproof stainless steel housing



RS-232 interface provides speedy connection to computers and printers



Colour-changing backlight for easier checkweighing

## Features

- IP68-rated for protection against water and dust
- Capacity tracker built into display
- Wall-mount bracket provided
- Checkweighing with audible alarm
- Selectable digital filtering
- User-selectable scale division
- Rechargeable battery for operation almost anywhere

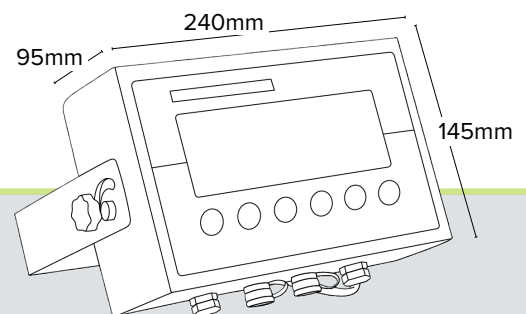
## General Specifications

- Weighing units: g, kg, lb, lb:oz, oz, N, custom unit
- Interface: RS-232
- Power supply: Fixed mains power cord, Internal rechargeable battery
- Battery life (up to): 120 hours
- Display: Backlit LCD with 40mm-high digits
- Calibration: External
- Housing: Stainless steel
- Operating temperature: 0° to 40°C

Model	Capacity	Readability	Net Weight
<b>AE 403</b>	Selectable	80,000 divisions	2kg

## Trade Approved Models **M**

Model	Capacity	Readability	Net Weight
<b>AE 403M</b>	Selectable	6,000 divisions	2kg



CLICK TO FIND ONLINE





AE 504



AE 503

The AE 503 and AE 504 label printing indicators combine weighing applications and a printer in one easy-to-use device, providing an ideal solution for manufacturing, packing and distribution needs.

### Applications

Weighing | Parts counting | Check counting | Averaging | Barcode/Label printing | Checkweighing | Accumulation | Dynamic/Animal weighing (AE 503) | Percentage weighing (AE 503) | Peak hold (AE 503)



Vivid backlit LCD display easily visible in any lighting conditions



Print weight, QR codes, barcodes and customised labels in several languages



AE 504 numeric keypad allows selection from 1006 PLUs

### Features

- Rechargeable battery included for operation almost anywhere
- Parts counting optimisation automatically refines piece weight as parts are added
- Checkweighing with audible alarm
- User-selectable scale division
- Quick and easy configuration using the keypad

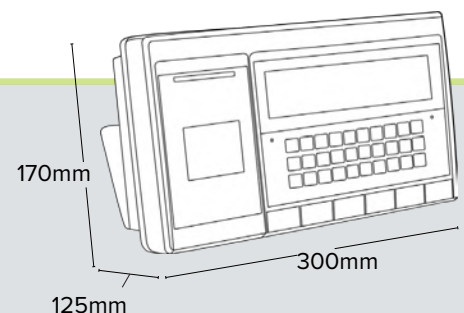
### General Specifications

- Weighing units:
  - AE503: g, kg, lb, oz, ct, dr, mm, T, tonne
  - AE504: g, kg, lb, oz
- Interface: RS-232
- Power supply: 12VDC 3A adapter, Internal rechargeable battery
- Battery life (up to): 110 hours
- Display:
  - AE503: Backlit LCD with 34mm-high digits
  - AE504: 22mm-high digits
- Calibration: External
- Housing: ABS Plastic
- Standard label size (WxH): 50x30mm

Model	Capacity	Readability	Net Weight
<b>AE 503</b>	Selectable	80,000 divisions	2.8kg
<b>AE 504</b>	Selectable	80,000 divisions	2.8kg



CLICK TO FIND ONLINE





KEY ACCESSORIES



Indicator Stand



ATP2 Thermal Printer

With a wide range of features, the GC counting indicator is ideal for parts counting tasks. Its numeric keypad facilitates unit weight and sample entry, while the display shows unit weight, total weight and number of pieces.

**Applications**  
 Weighing | Parts counting |  
 Check counting



RS-232 interface for sending data to PCs and printers



Piece weight, total weight and piece count clearly visible in one place



Splash-proof housing, keypad and display are easy to clean

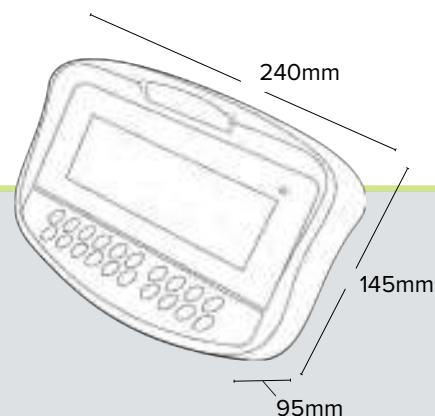
**Features**

- Vivid, backlit LCD easily visible in any lighting conditions
- Capacity tracker built into display
- Solid ABS housing provides durability for industrial use
- Wall-mount bracket for placing indicator on vertical surface
- Internal counting resolution of 1:600,000 for precise results
- Parts counting with freely selectable sample sizes
- Selectable digital filtering
- Printouts include date and time for data tracking within Good Laboratory Practices (GLP) guidelines
- Programmable capacity and readability

**General Specifications**

- Weighing units: g, kg, lb
- Interface: RS-232, Optional USB
- Power supply: 12VDC 800mA adapter, Internal rechargeable battery
- Battery life (up to): 120 hours
- Display: Backlit LCD with 20mm-high digits
- Calibration: External
- Housing: ABS plastic
- Operating temperature: -10° to 40°C

Model	Capacity	Readability	Net Weight
GC	Selectable	60,000 divisions	2kg



CLICK TO FIND ONLINE



For easier checkweighing, choose our GK indicators. Feature-rich and easy to use, these standard and trade approved indicators have checkweighing red/amber/green lights with audible alarm, plus full numeric keypad to enter checkweighing limits.

**Applications**

Weighing | Parts counting |  
Check counting | Check weighing |  
Percentage weighing | Total net  
weight (GK-Plus) | Dynamic/Animal  
weighing (GK-Plus)



GK-Plus



GK-S



GK-PlusM



GK-S MODELS

Simple, 5-button keypad layout for quick and easy weighing tasks



PLUS MODELS

Full numeric keypad for easier checkweighing



PLUSM MODELS

Trade approved for applications where weight determines price

**Common Features**

- Capacity tracker built into display
- Solid ABS housing provides durability for industrial use
- Splash-proof housing, keypad and display are easy to clean
- Quick and easy configuration using the full numeric keypad
- Wall-mount bracket for placing indicator on vertical surface
- Parts counting optimisation automatically refines piece weight as parts are added
- Selectable digital filtering
- Printouts include date and time for data tracking within Good Laboratory Practices (GLP) guidelines
- Programmable capacity and readability
- 1:1,600,000 internal counting resolution for precise results (GK-S and GK-Plus)

**General Specifications**

- Weighing units: g, kg, lb, lb:oz, oz, N\*
- Interface: RS-232, Optional USB
- Power supply: 12VDC 800mA adapter, Internal rechargeable battery
- Battery life (up to): 120 hours
- Display: Backlit LCD with 40mm-high digits
- Calibration: External
- Housing: ABS plastic
- Operating temperature: -10° to 40°C

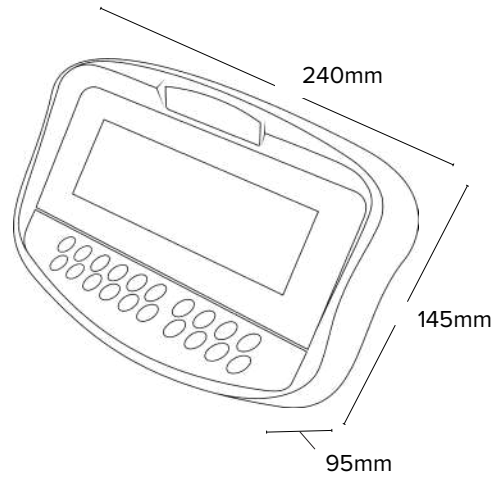
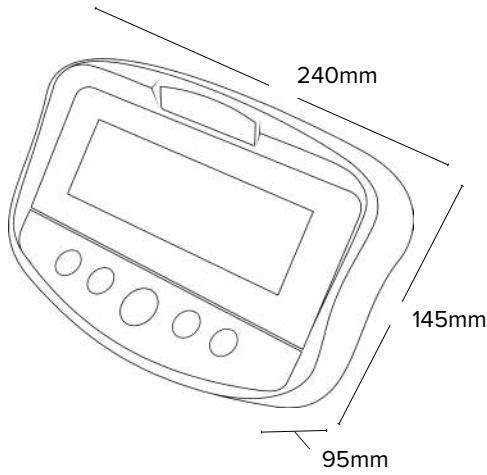
\*lb, oz, and lb:oz are not legal for trade weighing units



CLICK TO FIND ONLINE



Indicator Stand  
See pg. 83



### GK-S Indicator

### GK-Plus & GK-PlusM Indicator

Model	Capacity	Readability	Net Weight
<b>GK-S</b>	Selectable	80,000 divisions	2kg

Model	Capacity	Readability	Net Weight
<b>GK-Plus</b>	Selectable	80,000 divisions	2kg

### Trade Approved Models **M**

Model	Capacity	Readability	Net Weight
<b>GK-PlusM</b>	Selectable	6,000 divisions	2kg



### DID YOU KNOW?

Our industry-leading warranties, introduced in 2023, mean greater peace of mind when buying Adam products. Our GK-PlusM, and brand new GK-Plus and GK-S indicators all come with a 5 year warranty.



Adam Equipment offers a full line of scales and balances for health and fitness applications. With rugged construction, easy operation and practical features, our balances and scales can be found in nursing homes, rehab centres, spas, schools, fitness facilities, gyms and veterinary practices.

body mass index (BMI) calculation, ultrasonic and mechanical height assessment, blood bag measurement, food portioning for weight control, and measuring ingredients for herbal tonics, tinctures, bulk compounds and nutritional supplements.

Easy to use, Adam's health and fitness scales are suitable for a variety of tasks, including weighing,

**MDW pg. 74**





MTB without Cradle

Versatile and portable, the MTB offers excellent value for tasks such as weighing infants, toddlers or small animals. A cleverly designed ergonomic cradle – which provides comfortable support for babies and locks securely in place – removes easily to reveal a non-slip rubber mat underneath, simplifying the task of weighing toddlers or small animals.

### Applications

Weighing



Removable cradle to reveal non-slip base underneath



Lightweight design for added portability



Ergonomic cradle for comfort and support

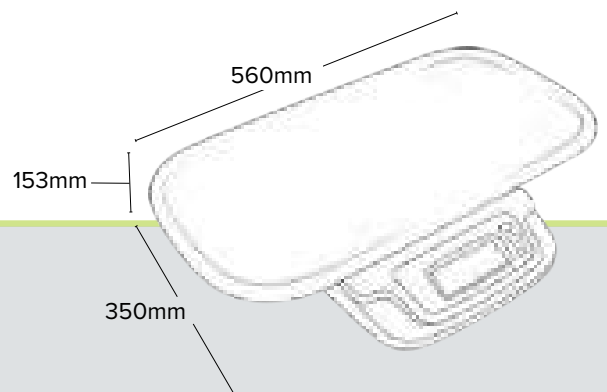
### Features

- Simple operation allows quick startup
- High-contrast display is easily visible from a distance
- Remove blanket weight using tare function
- Operates with AC adaptor (included) or batteries (not included)

### General Specifications

- Weighing units: kg, lb, lb:oz
- Power supply: 6VDC 500mA adapter, 4 x AA batteries
- Display: LCD with 29mm-high digits
- Calibration: External
- Housing: ABS Plastic
- Operating temperature: 10° to 40°C

Model	Capacity	Readability	Pan Size	Net Weight
MTB 20	20kg	0.005kg	560x285mm	3.2kg



CLICK TO FIND ONLINE



With a modern, robust design, MDW digital scales offer affordable precision for healthcare and fitness facilities. The MDW provides precise height, weight and BMI measurement, and features a rugged metal base with non-slip weighing platform.



KEY ACCESSORIES



Calibration Certificate



ATP2 Thermal Printer

### Applications

Weighing | Display hold |  
Height measurement



Weight readings are bright and clear on the LED display



Compact, solid, anti-slip platform



Height rod helps with BMI calculation

### Features

- Metal construction for base and pillar
- Integrated wheels allows for easy transport
- Body Mass Index (BMI) calculation

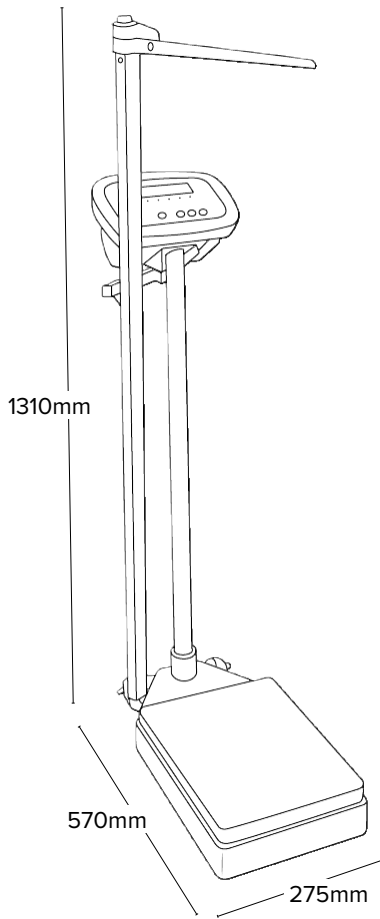
### General Specifications

- Weighing units: kg, lb
- Display: LED with 22mm-high digits
- Calibration: External
- Operating temperature: 5° to 40°C
- Power supply: 12VDC 500mA adapter, Internal rechargeable battery
- Battery life (up to): 50 hours
- Interface: RS-232



CLICK TO FIND ONLINE





### MDW with height rod fully extended

Model	Capacity	Readability	Pan Size	Height Rod Max	Net Weight
<b>MDW 300L</b>	300kg	0.05kg	375x275mm	2120mm	13kg



#### ***DID YOU KNOW?***

You can use the MDW's height rod to calculate BMI. Simply enter your height into the scale and BMI will display instantly. This makes the MDW an affordable option for any gym or health club needing a reliable, professional weighing scale.



Adam Equipment's weighing accessories can provide added protection for your weighing scale or balance, and also can increase performance and boost efficiency.

Certain industries require adherence to a particular set of practices or standards; printers, weighing pans, and other helpful tools are available to ensure accurate readings and best practices. GLP guidelines are easy to follow using Adam printers and data collection software. To simplify data collection, AdamDU software enables

users to capture data from any Adam Equipment balance having an RS-232 or USB interface.

Adam offers several accessory kits that can simplify certain applications. Combined with our precision or analytical balances, Adam's density kit makes density determination easy and precise. A temperature calibration kit for our PMB Moisture Analyser can help maintain proper settings of the temperature sensor and heating element.

AVT pg. 83



**Granite Surface**  
Large, scratch-resistant granite slab sits on shock-absorbing rubber mounts



**Aluminium Frame**  
Lightweight tubular aluminium frame



**Adjustable Feet**  
Adjustable levelling feet for uneven surfaces



F1 Weight Set

Adam's OIML weight sets are available in several classes. E1 and E2 weights offer superb accuracy for calibrating analytical and precision balances. F1 weights are suitable for calibrating precision balances. M1 weights are excellent for calibrating compact balances, industrial scales and general weighing equipment.



E1 Weight Set



E2 Weight Set



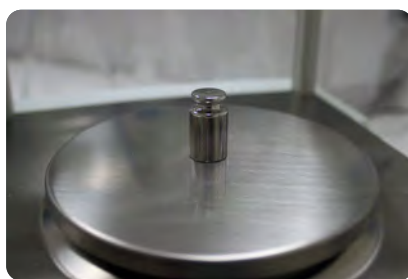
M1 Cast Iron Weight



M1 Weight Set



Choose complete weight sets or single weights



Ensure that your scale or balance provides accurate results



All weights meet requirements for testing to OIML standards

## Calibration Certificates

- UKAS or in-house Calibration Certificate per weight (Class F1 & M1)
- UKAS Calibration Certificate for E2 weights (per weight)
- UKAS Calibration Certificate for E2 1mg - 200g weight set
- UKAS Calibration Certificate for E2 1g - 200g weight set
- UKAS or in-house Calibration Certificate for F1 1mg - 200g weight set
- UKAS or in-house Calibration Certificate for F1 1mg - 500g weight set
- UKAS or in-house Calibration Certificate for F1 1g - 100g weight set
- UKAS or in-house Calibration Certificate for F1 1g - 200g weight set

- UKAS or in-house Calibration Certificate for F1 1g - 500g weight set
- UKAS or in-house Calibration Certificate for F1 1g - 2kg weight set
- UKAS or in-house Calibration Certificate for M1 1g - 100g weight set
- UKAS or in-house Calibration Certificate for M1 1g - 200g weight set
- UKAS or in-house Calibration Certificate for M1 1g - 500g weight set
- UKAS or in-house Calibration Certificate for M1 1g - 2kg weight set
- UKAS Calibration Certificate for M1 cast iron weights (per weight)



CLICK TO FIND ONLINE



## Weight Sets

Part Number	Class	Weight
<b>700100419</b>	OIML E1	1mg-50g
<b>700100420</b>	OIML E1	1mg-100g
<b>700100421</b>	OIML E1	1mg-200g
<b>700100026</b>	OIML E2	1mg-200g
<b>700100207</b>	OIML E2	1g-200g
<b>700100028</b>	OIML F1	1mg-200g
<b>700100011</b>	OIML F1	1mg-500g
<b>700100027</b>	OIML F1	1g-100g
<b>700100049</b>	OIML F1	1g-200g
<b>700100042</b>	OIML F1	1g-500g
<b>700100070</b>	OIML F1	1g-2kg
<b>700100035</b>	OIML M1	1g-100g
<b>700100037</b>	OIML M1	1g-200g
<b>700100228</b>	OIML M1	1g-500g
<b>700100071</b>	OIML M1	1g-2kg

## Class M1

Part Number	Class	Weight
<b>700100065</b>	OIML M1	1g
<b>700100066</b>	OIML M1	2g
<b>700100067</b>	OIML M1	5g
<b>700100068</b>	OIML M1	10g
<b>700100069</b>	OIML M1	20g
<b>700100058</b>	OIML M1	50g
<b>700100059</b>	OIML M1	100g
<b>700100072</b>	OIML M1	200g
<b>700100060</b>	OIML M1	500g
<b>700100029</b>	OIML M1	1kg
<b>700100030</b>	OIML M1	2kg

## Steel Chrome

Part Number	Class	Weight
<b>700100024</b>	OIML M1	5kg
<b>700100031</b>	OIML M1	10kg
<b>700100032</b>	OIML M1	20kg

## Class E1

Part Number	Class	Weight
<b>700100398</b>	OIML E1	5g
<b>700100399</b>	OIML E1	10g
<b>700100400</b>	OIML E1	20g
<b>700100401</b>	OIML E1	50g

## Class E2

Part Number	Class	Weight
<b>700100232</b>	OIML E2	50g
<b>700100022</b>	OIML E2	100g
<b>700100023</b>	OIML E2	200g

## Class F1

Part Number	Class	Weight
<b>700100019</b>	OIML F1	1g
<b>700100018</b>	OIML F1	2g
<b>700100017</b>	OIML F1	5g
<b>700100016</b>	OIML F1	10g
<b>700100015</b>	OIML F1	20g
<b>700100014</b>	OIML F1	50g
<b>700100007</b>	OIML F1	100g
<b>700100012</b>	OIML F1	200g
<b>700100008</b>	OIML F1	500g
<b>700100009</b>	OIML F1	1kg
<b>700100010</b>	OIML F1	2kg
<b>700100013</b>	OIML F1	5kg

## Class M1 Cast Iron

Part Number	Class	Weight
<b>700100183</b>	OIML M1	5kg
<b>700100182</b>	OIML M1	10kg
<b>700100181</b>	OIML M1	20kg



These are the maximum permissible errors for OIML weights as supplied by Adam. During calibration of mass standards and weights, the measurement uncertainty for coverage factor  $k=2$  shall not be greater than one third of maximum permissible error value specified for a particular mass standard of weight of a given class or nominal value.

Weight	Class E1	Class E2	Class F1	Class F2	Class M1
	mg	mg	mg	mg	mg
5000kg			250,000	80,000	250,000
2000kg			10,000	30,000	100,000
1000kg		1,600	5,000	16,000	50,000
500kg		800	2,500	8,000	25,000
200kg		300	1,000	3,000	10,000
100kg		160	500	1,600	5,000
50kg	25	80	250	800	2,500
20kg	10	30	100	300	1,000
10kg	5	16	50	160	500
5kg	2.5	8	25	80	250
2kg	1	3	10	30	100
1kg	0.5	1.6	5	16	50
500g	0.25	0.8	2.5	8	25
200g	0.1	0.3	1	3	10
100g	0.05	0.16	0.5	1.6	5
50g	0.03	0.1	0.3	1	3
20g	0.025	0.08	0.25	0.8	2.5
10g	0.02	0.06	0.2	0.6	2
5g	0.016	0.05	0.16	0.5	1.6
2g	0.012	0.04	0.12	0.4	1.2
1g	0.01	0.03	0.1	0.3	1
500mg	0.008	0.025	0.08	0.25	0.8
200mg	0.006	0.02	0.06	0.2	0.6
100mg	0.005	0.016	0.05	0.16	0.5
50mg	0.004	0.012	0.04	0.12	0.4
20mg	0.003	0.01	0.03	0.1	0.3
10mg	0.003	0.008	0.025	0.08	0.25
5mg	0.003	0.006	0.02	0.06	0.2
2mg	0.003	0.006	0.02	0.06	0.2
1mg	0.003	0.006	0.02	0.06	0.2



Part Number	Description	Latitude LBX	Cruiser® CKT	CPWplus	GBK & GFK	AGB & AGF	BKT
3022014061	In-use Cover (Latitude)	•					
3022013911	In-use Cover (Cruiser)		•				
3052010526	In-use Cover (GBK/GFK)				•		
3002014371	Hard Carrying Case with lock (Latitude)	•					
302013912	Hard Carrying Case with lock (Cruiser)		•				
700100099	Hard Carrying Case with lock (CPWplus standard)			•			
303149759	Large Scoop (with fitting to scales)	•	•				
303149760	Small Scoop (with fitting to scales)	•	•				
1120015779	ATP2 Thermal Printer		•	•	•	•	•
1100011297	Relay Box					•	
3074010266	RS-232 Cable			•	•		•
700400103	RS-232 Cable (9 pin)					•	
3014011014	RS-232 Cable M-F		•				
3074010507	RS-232 to USB Adapter			•	•	•	•
3074010267	USB Cable		•		•		
2020013915	USB option (type B)		•				
202000001	Weigh-below Hook (factory-fitted)		•				
700200059	Non-slip Rubber Mat			•			
600002028	AdamDU Data Collection Programme		•	•	•	•	•
700660290	Calibration Certificate	•	•	•	•	•	•
700660288	Calibration Certificate for GFK 600/AGF 600/BKT 600				•	•	•
400005615	Labels (800 per roll)						•

# Accessories for Counting Scales

Part Number	Description	Cruiser® CCT/CDT	GBC & GFC	BCT
3022013911	In-use Cover (Cruiser)	•		
3052010526	In-use Cover (GBK/GFK)		•	
302013912	Hard Carrying Case with lock (Cruiser)	•		
303149759	Large Scoop (with fitting to scales)	•		
303149760	Small Scoop (with fitting to scales)	•		
1120015779	ATP2 Thermal Printer	•	•	•
3074010266	RS-232 Cable	•	•	
3074010507	RS-232 to USB Adapter		•	•
3074010267	USB Cable	•	•	
2020013915	USB option (type B)	•	•	
600002028	AdamDU Data Collection Programme	•	•	•
700660290	Calibration Certificate	•	•	•
400005615	Labels (800 per roll)			•

## 82 Accessories for Washdown and Retail Scales

Part Number	Description	Aqua® ABW	Aqua® ABW-S	Gladiator® GGS/GGB/GGF/GGL	Swift SWZ
3022014061	In-use Cover (ABW)	•			
3022013911	In-use Cover (SWZ)				•
3002014371	Hard Carrying Case with Lock (ABW)	•			
302013912	Hard Carrying Case with Lock (SWZ)				•
303149759	Large Scoop (with fitting to scales)	•	•		•
303149760	Small Scoop (with fitting to scales)	•	•		•
1120015779	ATP2 Thermal Printer			•	•
1100011297	Relay Box			•	
3074010266	RS-232 Cable			•	
3014011014	RS-232 Cable M-F				•
3074010507	RS-232 to USB Adapter			•	
2020013915	USB option				•
600002028	AdamDU Data Collection Programme			•	•
700660290	Calibration Certificate	•	•	•	•

## Accessories for Heavy Duty Scales

Part Number	Description	SHS/LHS/IHS	PT	PTM	AELP	PTSpplus	PTT
2050013351	Indicator Stand		•	•	•		
700100199	Mild Steel Ramp - PT 10R 1000mm wide		•				
700100200	Mild Steel Ramp - PT 12R 1200mm wide		•				
700100201	Mild Steel Ramp - PT 15R 1500mm wide		•				
700660288	Calibration Certificate	•		•			
700660289	Calibration Certificate		•		•	•	•
1120015779	ATP2 Thermal Printer		•	•	•	•	
3074010507	RS-232 to USB Adapter		•	•	•	•	•
1100011297	Relay Box (for AE 403)		•	•	•		
400005615	Labels - 800 per roll						•
600002028	AdamDU Data Collection Programme		•	•	•	•	•

Part Number	Description	AE 403	AE 503/504	GC	GK-S	GK-Plus & GK-PlusM
3102014653	In-use Cover (AE 403)	•				
3052010526	In-use Cover (GC/GK/GK-Mplus)			•	•	•
2050013351	Indicator Stand	•	•	•	•	•
1120015779	ATP2 Thermal Printer	•		•	•	•
3014011014	RS-232 Cable			•	•	•
3074010507	RS-232 to USB Adapter	•	•	•	•	•
3134012936	RS232-to-9pin D Connector 1.5m (factory-fitted)	•			•	
1100011297	Relay Box	•			•	•
600002028	AdamDU Data Collection Programme	•	•	•	•	•
400005615	Labels - 800 per roll		•			
3051410045	Wall Bracket			•	•	•

# Accessories for Health and Fitness Scales and Weights

Part Number	Description	MTB	MDW	OIML Weights
700660290	Calibration Certificate	•	•	
1120015779	ATP2 Thermal Printer		•	
3014011014	RS-232 Cable		•	
3074010507	RS-232 to USB Adapter		•	
700200106	Calibration Weight Tweezer - Small			•
700200105	Calibration Weight Tweezer - Large			•

# AVT Anti-Vibration Table

104008036



The AVT allows balances to perform with precision despite air currents and vibrations. Adam's AVT is easy to assemble, as all the necessary tools are supplied.

- 400 x 450mm surface area
- Two-table construction reduces interference with the scratch-resistant granite slab
- Lightweight tubular aluminium frame



A general purpose thermal roll printer, the ATP2 is ideal for use with most balances and scales. Designed to be efficient and compact, the printer occupies minimal space on a bench or tabletop.

- RS-232 (9F and 9M, 25-pin) cable included.
- 58mm paper width
- Dimensions: 114x184x90mm

## AdamDU Data Collection Programme

600002028



AdamDU quickly collects information from up to eight Adam balances simultaneously, via RS-232 or USB connections. An easy-to-use interface with a main command window lets users view and manage data capture sessions.

- Include date and time with readings, and graph readings in real time
- Export readings in text, CSV, HTML or XML format, directly to Microsoft® Excel or Word

## ABI-1 Ioniser

700100410



The Adam ioniser neutralises the static charge that accumulates in non-conductive materials such as plastic, glass, ceramics, paper and textiles.

- Discharge time: 9s/5cm, 13s/10cm, 100s/40cm (with fan on)
- Standard distance from sample to ion source ~5-40cm
- Ozone concentration is 0-0.05ppm 2cm from ion source
- Maximum air volume 0.06cm<sup>3</sup>/min

## Density Determination Kits

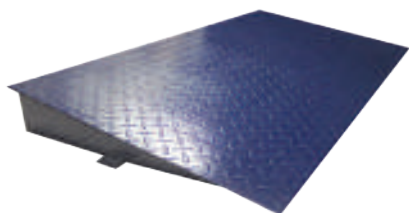


These kits allow for you to determine density with your Equinox, Solis and Luna analytical or precision balance.

- Equinox/Solis Density Kit.....1060014262
- Luna Density Kit .....1060015357



Find all Adam  
Accessories  
here



Mild steel ramps are a great accessory for the Adam platform scales, ensuring strength and durability. Securely connects to PT platforms for easier, safer operation.

- PT 1000mm Ramp .....700100199
- PT 1200mm Ramp.....700100200
- PT 1500mm Ramp.....700100201

## Hard Carrying Case



This carry case allows scales to be placed inside to protect it during transportation. The hard shell case is durable and comes with a lock so that you can secure the scale in the case as needed.

- Highland HCB / Core CQT .....308002042
- Latitude LBX.....3002014371
- Cruiser CKT/CCT/CDT .....302013912
- TBB.....700100211
- CPWplus Standard .....700100099

## Temperature Calibration Kit

1070010636



This temperature calibration kit for the PMB Moisture Analyser can be used to help calibrate the temperature sensor. The kit comes with a case and a device to hold the sensor in the optimum position.

## Large and Small Scoops



This confectionery stainless steel scoop is removable and easily washable. This durable item is ideal for food production.

- Large Scoop (with fitting to scale).....303149759
- Small Scoop (with fitting to scale).....303149760



Model	Shipping Dims (wxdxh)	Shipping Weight
<i>Equinox EAB</i>	530x530x390mm	9.4kg
<i>Equinox EPB</i>	420x530x390mm	8.8kg
<i>Equinox ETB</i>	300x530x390mm	8.5kg
<i>Solis SABI</i>	390x530x530mm	9.2kg
<i>Solis SABe</i>	390x530x530mm	8.9kg
<i>Solis SPB</i>	420x530x420mm	8.3kg
<i>Solis STB</i>	390x530x300mm	8kg
<i>Luna LABi</i>	390x530x530mm	8.3kg
<i>Luna LABe</i>	390x530x530mm	8kg
<i>Luna LPBi</i>	390x530x420mm	6.9kg
<i>Luna LPBe</i>	390x530x420mm	6.4kg
<i>Luna LTBi</i>	390x530x300mm	6.4kg
<i>Luna LTBe</i>	390x530x300mm	5.5kg
<i>Luna LBBe</i>	390x530x300mm	5.4kg
<i>Nimbus NBLe</i>	457x508x203mm	9.6kg
<i>Nimbus NBLp</i>	457x508x203mm	11kg
<i>Core CQT</i>	152x356x279mm	1.8kg
<i>Highland HCB</i>	279x381x152mm	3.2kg
<b>CBX</b>	190x310x95mm	0.7kg
<b>CB</b>	203x229x76mm	0.9kg
<i>Dune DCT</i>	203x305x102mm	1.4kg
<b>TBB</b>	178x584x229mm	3.6kg
<b>PMB</b>	381x457x305mm	8.2kg
<i>Latitude LBX</i>	295x350x175mm	4kg
<i>Cruiser CKT</i>	190x370x420mm	4.5kg
<b>CPWplus</b>	102x483x381mm	5kg
<b>CPWplus P</b>	356x508x406mm	7.3kg
<b>CPWplus M</b>	127x584x559mm	10.4kg
<b>CPWplus L</b>	102x1092x660mm	16.3kg
<b>GBK</b>	780x400x160mm	9kg
<b>GFK</b>	460x895x210mm	18.1kg
<b>GFK 600</b>	660x1168x203mm	34.9kg
<b>AGB</b>	780x400x160mm	14kg
<b>AGF</b>	205x870x476mm	18kg
<b>AGF 600</b>	210x1286x661mm	35kg
<b>BKT Bench Scale</b>	425x805x170mm	14kg
<b>BKT Floor Scale</b>	476x870x205mm	18kg
<b>BKT 600</b>	661x1286x210mm	35kg
<i>Cruiser CDT</i>	420x370x190mm	4.5kg
<i>Cruiser CCT</i>	420x370x190mm	4.5kg
<b>GBC</b>	780x400x160mm	9kg
<b>GFC</b>	460x895x210mm	18kg

Model	Shipping Dims (wxdxh)	Shipping Weight
<b>BCT Bench Scale</b>	425x805x170mm	14kg
<b>BCT Floor Scale</b>	476x870x205mm	18kg
<i>Aqua ABW</i>	295x350x175mm	4kg
<i>Aqua ABW-S</i>	295x350x175mm	4kg
<i>Gladiator GGS</i>	310x620x180mm	8.8kg
<i>Gladiator GGB</i>	350x750x100mm	12.5kg
<i>Gladiator GGF</i>	510x880x210mm	14.7kg
<i>Gladiator GGL</i>	510x880x210mm	21.1kg
<i>Swift SWZ</i>	420x370x190mm	4.5kg
<i>Swift SWZDP</i>	520x380x190mm	5.8kg
<b>AELP</b>	127x1499x127mm	36.5kg
<b>PTSplus</b>	762x1702x686mm	145.2kg
<b>PTT</b>	762x1702x686mm	145.2kg
<b>SHS</b>	210x320x130mm	2kg
<b>LHS</b>	356x457x178mm	6kg
<b>IHS 1</b>	406x483x279mm	14kg
<b>IHS 3</b>	406x483x279mm	16kg
<b>IHS 5</b>	406x483x279mm	20kg
<b>IHS 10</b>	406x483x279mm	32kg
<b>PT 1m<sup>2</sup></b>	1041x1041x254mm	65kg
<b>PT 1.2m<sup>2</sup></b>	1219x1219x254mm	85kg
<b>PT 1.5m<sup>2</sup></b>	1549x1549x254mm	110kg
<b>PT 1m<sup>2</sup> [w/ Indicator]</b>	1041x1041x457mm	67kg
<b>PT 1.2m<sup>2</sup> [w/ Indicator]</b>	1219x1219x457mm	87kg
<b>PT 1.5m<sup>2</sup> [w/ Indicator]</b>	1549x1549x457mm	112kg
<b>PTM</b>	914x1143x127mm	68kg
<b>GB</b>	400x775x160mm	9kg
<b>GF</b>	483x889x178mm	13kg
<b>GF 600</b>	660x1168x178mm	31kg
<b>WS</b>	300x610x190mm	6kg
<b>WB</b>	360x740x200mm	10kg
<b>WF</b>	500x880x200mm	13kg
<b>WF</b>	500x880x260mm	20.5kg
<b>AE 403 &amp; AE 403M</b>	229x279x152mm	2.7kg
<b>AE 503 &amp; AE 504</b>	280x360x220mm	4kg
<b>GC</b>	229x279x229mm	2.3kg
<b>GK-S</b>	229x279x229mm	2.7kg
<b>GK-Plus</b>	229x279x229mm	2.7kg
<b>GK-PlusM</b>	229x279x229mm	2.7kg
<b>MTB</b>	381x610x178mm	4.1kg
<b>MDW</b>	533x1321x152	16.8kg
<b>AVT</b>	876x673x274	67kg

Capacity Selection Guide.....	4-6	<b>Waterproof &amp; Washdown Scales .....</b>	<b>46</b>
<b>Analytical &amp; Precision Balances.....</b>	<b>7</b>	<i>Aqua</i> ® ABW Washdown Scales .....	47
<i>Equinox</i> Semi-Micro, Analytical and Precision Balances .....	8-9	<i>Aqua</i> ® ABW-S Waterproof Scales .....	48-49
<i>Solis</i> Semi-Micro, Analytical and Precision Balances.....	10-11	<i>Gladiator</i> ® Waterproof Scales .....	50-51
<i>Luna</i> Analytical and Precision Balances.....	12-13	<b>Retail Scales .....</b>	<b>52</b>
<i>Nimbus</i> ® NBL Heavy Duty Precision Balances .....	14-15	<i>Swift</i> SWZ Price-Computing Retail Scales.....	53
<b>Compact Balances.....</b>	<b>16</b>	<b>Heavy-Duty &amp; Platform Scales .....</b>	<b>54</b>
<i>Core</i> ® CQT Portable Compact Balances.....	17	AELP Pallet Beam Scales .....	55
<i>Highland</i> ® HCB Portable Precision Balances .....	18-19	PTSplus Pallet Truck Scales .....	56
CBX Compact Balances .....	20	PTT Pallet Truck Scales.....	57
CB Compact Balances .....	21	SHS, LHS & IHS Crane Scales.....	58-59
<i>Dune</i> ® DCT Portable Compact Balances.....	22	PT Platform Scales.....	60-61
TBB Triple-Beam Mechanical Balances.....	23	PTM Drum and Wheelchair Platform Scales .....	62
<b>Moisture Balances .....</b>	<b>24</b>	GB & GF Platform Scales.....	63
PMB Moisture Analyser.....	25	W Series Waterproof Platform Scales .....	64-65
<b>Bench &amp; Floor Scales .....</b>	<b>26</b>	<b>Weighing Indicators.....</b>	<b>66</b>
<i>Latitude</i> LBX Compact Bench Scales.....	27	AE 403 & AE 403M Waterproof Indicators .....	67
<i>Cruiser</i> ® CKT Bench Checkweighing Scales .....	28-29	AE 503 & AE 504 Label Printing Indicators .....	68
CPWplus Bench and Floor Scales.....	30-31	GC Counting Indicators.....	69
<b>NEW!</b> GBK & GFK Checkweighing Bench and Floor Scales.....	32-33	<b>NEW!</b> GK-S, GK-Plus & GK-PlusM Checkweighing Indicators .....	70-71
AGB & AGF Bench and Floor Scales.....	34-35	<b>Health &amp; Fitness Scales .....</b>	<b>72</b>
BKT Label Printing Scales .....	36-37	MTB Digital Scales.....	73
<b>Counting Scales .....</b>	<b>38</b>	MDW Physician Scales.....	74-75
<i>Cruiser</i> ® CDT Dual Counting Scales .....	39	<b>Weights &amp; Accessories .....</b>	<b>76</b>
<i>Cruiser</i> ® CCT Bench Counting Scales.....	40-41	OIML Calibration Weights.....	77-79
GBC & GFC Parts-Counting Bench and Floor Scales .....	42-43	Accessories.....	80-85
BCT Label-Printing Counting Scales.....	44-45	Product Shipping Dimensions.....	86

# AEADAM

SCALES & BALANCES

## United Kingdom

Maidstone Road, Kingston  
Milton Keynes MK10 OBD, UK  
Phone: +44 (0)1908 274545  
Email: sales@adamequipment.co.uk

## Germany

Instenkamp 4  
24242 Felde, Germany  
Phone: +49- (0) 4340-40300-0  
Email: vertrieb@aeadam.de

## Australia

70 Miguel Road, Bibra Lake 6163  
Perth, WA, Australia  
Phone: +61 (0) 8 6461 6236  
Email: sales@adamequipment.com.au

## United States

1 Fox Hollow Road  
Oxford, CT, 06478, USA  
Phone: +1 (203) 790-4774  
Email: sales@adamequipment.com

## South Africa

7 Megawatt Road, Spartan EXT 22, Kempton Park  
Johannesburg, Republic of South Africa  
Phone: +27 (0 )11 9749745  
Email: sales@adamequipment.co.za

## China

E Building, Private Industrial Park, Zhuanyang  
Avenue, Wuhan Economic & Technological  
Development Zone, 430056 Wuhan, P.R.China  
Phone: + 86 (27) 59420391  
Email: sales@adamequipment.com.cn



[www.adamequipment.co.uk](http://www.adamequipment.co.uk)

Nimbus®, Core®, Dune®, Highland®, Cruiser®, Aqua®, Gladiator®, ShockProtect®, HandiCal®, Adam Equipment® and the Adam Equipment logo are registered trademarks of Adam Equipment and therefore, use of these trademarks in any way is granted only with the express written permission of Adam Equipment.

Adam Equipment follows a policy of continuous improvement and reserves the right to change specification and pricing without notice. Adam Equipment's standard terms and conditions of sale apply. Errors and omissions excepted.

Microsoft Word, Microsoft Excel and Microsoft are registered trademarks of Microsoft Corporation in the United States and other countries.